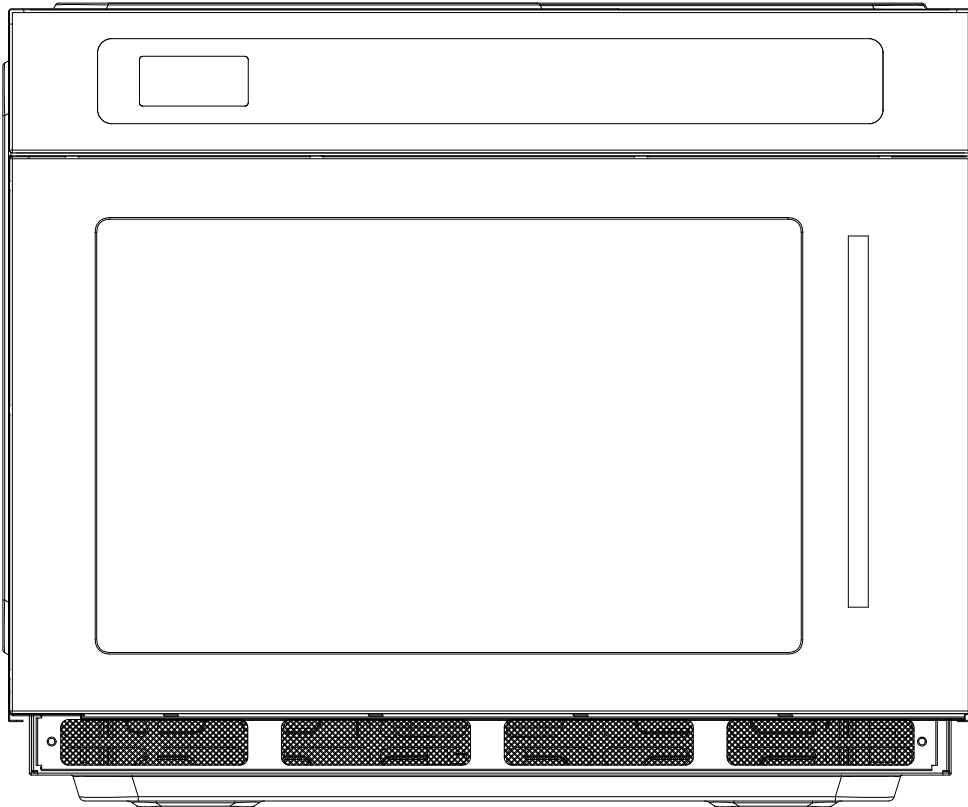




## INSTRUCTION MANUAL



# MICROWAVE OVEN

## eiQCMW30L

Read these instructions carefully before using your microwave oven,  
and keep them safe for future reference.

# CONTENTS

IMPORTANT SAFETY INFORMATION	3
SETTING UP YOUR OVEN	7
YOUR NEW APPLIANCE	8
NAMES OF OVEN PARTS	8
THE CERAMIC BOARD	9
CONTROL PANEL	11
OPERATION INSTRUCTIONS	12
MICROWAVE COOKING	12
PRESET COOKING	13
SAVE A MULTISTAGE PRESET	13
FAST START FOR PRESETS	13
X2 PRESET BUTTON	14
COUNT OF OPERATIONS	15
SWITCH	15
ADJUST THE COOKING TIME	15
CHILD LOCK	15
FACTORY RESET	15
CARE AND CLEANING	16
USE OF SUITABLE UTENSILS	17
REPLACEMENT OF LIGHT BULB	18
TROUBLESHOOTING	19
SPECIFICATIONS	19
ELECTRIQ UK SUPPORT	19

## **PRECAUTIONS TO AVOID POSSIBLE EXPOSURE TO EXCESSIVE MICROWAVE ENERGY**

1. Do not attempt to operate this oven with the door open since this can result in harmful exposure to microwave energy. It is important not to break or tamper with the safety interlocks.
2. Do not place any object between the oven front face and the door or allow dirt or cleaner residue to accumulate on sealing surfaces.
3. **WARNING:** If the door or door seals are damaged, the oven must not be operated until it has been repaired by a competent person.

If the apparatus is not maintained in a good state of cleanliness, its surface could be degraded and affect the lifespan of the apparatus and lead to a dangerous situation.

## **IMPORTANT SAFETY INSTRUCTIONS**

To reduce the risk of fire, electric shock, injury to persons or exposure to excessive microwave energy when using your appliance, follow basic precautions, including the following:

- Read and follow the specific: "PRECAUTIONS TO AVOID POSSIBLE EXPOSURE TO EXCESSIVE MICROWAVE ENERGY".
- This appliance can be used by children aged from 8 years and above and persons with reduced physical, sensory or mental capabilities or lack of experience and knowledge if they have been given supervision or instruction concerning use of the appliance in a safe way and understand the hazards involved. Children shall not play with the appliance. Cleaning and user maintenance shall not be made by children unless they are older than 8 and supervised. Children less than 8 years of age shall be kept away unless continuously supervised.
- Keep the appliance and its cord out of reach of children less than 8 years.
- If the supply cord is damaged, it must be replaced by the manufacturer, its service agent or similarly qualified persons in order to avoid a hazard.
- **WARNING:** Ensure that the appliance is unplugged before replacing the lamp to avoid the possibility of electric shock.
- **WARNING:** It is hazardous for anyone other than a competent person to carry out any service or repair operation that involves the removal of the cover which gives protection against exposure to microwave energy.
- **WARNING:** Liquids and other foods must not be heated in sealed containers since they are liable to explode.
- When heating food in plastic or paper containers, keep an eye on the oven due to the possibility of ignition.
- Only use utensils that are suitable for use in microwave ovens.
- If smoke is emitted, switch off the appliance and keep the door closed in order to stifle any flames.

- The contents of feeding bottles and baby food jars shall be stirred or shaken and the temperature checked before consumption, in order to avoid burns.
- The oven should be cleaned regularly and any food deposits removed.
- Failure to maintain the oven in a clean condition could lead to deterioration of the surface that could adversely affect the life of the appliance and possibly result in a hazardous situation.
- Do not use a temperature probe with this oven.
- Metallic containers for food and beverages must not be used during microwave cooking.
- The appliance must not be cleaned with a steam cleaner.
- CAUTION: This appliance is designed only for cooking food and is intended for indoor use only and should not be used for any other purpose or in any other application, such as for heating a room.
- The microwave oven is intended for heating food and beverages. Drying of food or clothing and heating of warming pads, slippers, sponges, damp cloths and similar may lead to risk of injury, ignition or fire.
- The microwave is not intended to be operated by means of an external timer or separate remote-control system.
- If it is necessary to use an extension cord, its marked electrical rating must be at least as great as the electrical rating of the appliance, and must be 3 core including the earth.
- Incorrect repairs are dangerous. Repairs may only be carried out and damaged power cables replaced by a suitably qualified and competent electrician.
- If the appliance is defective, unplug the unit and contact the retailer or manufacturer for support.
- The cable insulation on electrical appliances may melt when touching hot parts of the appliance. Never bring electrical appliance cables into contact with the microwave.
- During use the appliance will become hot
- Accessories and ovenware may become very hot. Always use oven gloves to remove accessories or ovenware from the cooking compartment.
- Alcoholic vapours may catch fire in the hot cooking compartment. Never prepare food containing large quantities of drinks with a high alcohol content. Only use small quantities of drinks with a high alcohol content. Open the appliance door with care.
- Foods with peel or skin may burst or explode during, or even after, heating. Never cook eggs in their shells or reheat hard-boiled eggs. Never cook shellfish or crustaceans. Always prick the yoke when baking or poaching eggs. The skin of foods that have a peel or skin, such as apples, tomatoes, potatoes and sausages, may burst. Before heating, prick the peel or skin.

### **Risk of scalding!**

- When you open the appliance door, hot steam may escape. Open the appliance door with care. Keep children at a safe distance.
- Microwave heating of beverages can result in delayed eruptive boiling, therefore care must be taken when handling the container. This means that the liquid reaches boiling temperature without the usual steam bubbles rising to the

surface. Even if the container only vibrates a little, the hot liquid may suddenly boil over and spatter.

- When heating, always place a spoon in the container. This will prevent delayed boiling.

### **Risk of injury!**

- Scratched glass in the appliance door may develop into a crack. Do not use a glass scraper, sharp or abrasive cleaning aids or detergents.
- Unsuitable ovenware may crack. Porcelain or ceramic ovenware can have small perforations in the handles or lids. These perforations conceal a cavity below. Any moisture that penetrates this cavity could cause the ovenware to crack.
- Only use microwave-safe ovenware

## **CAUSES OF DAMAGE**

### **Caution!**

- Creation of sparks: Metal e.g. a spoon in a glass must be kept at least 2 cm from the oven walls and the inside of the door. Sparks could irreparably damage the glass on the inside of the door.
- Water in the hot cooking compartment: Never pour water into the hot cooking compartment. This will cause steam. The temperature change can cause damage.
- Moist food: Do not store moist food in the closed cooking compartment for long periods.
- Do not use the appliance to store food. This can lead to corrosion.
- **Heavily soiled seal:** If the seal is very dirty, the appliance door will no longer close properly during operation. Always keep the seal clean.
- **Operating the microwave without food:** Operating the appliance without food in the cooking compartment may lead to overloading. Never switch on the appliance unless there is food in the cooking compartment. An exception to this rule is a short crockery test (see the section "Microwave, suitable crockery").
- **Using the appliance door for standing on or placing objects on:** Do not stand or place anything on the open appliance door. Do not place ovenware or accessories on the appliance door.
- **Transporting the appliance:** Do not carry or hold the appliance by the door handle. The door handle cannot support the weight of the appliance and could break.
- **Microwave popcorn:** Never set the microwave power too high. Use a power setting no higher than 600 watts. Always place the popcorn bag on a glass plate. The disc may jump if overloaded.
- The oven should be cleaned regularly and any food deposits removed since they may explode, even after microwave heating has ended.
- Failure to maintain the oven in a clean condition could lead to deterioration of the surface that could adversely affect the life of the appliance and possibly result in a hazardous situation.

**READ CAREFULLY AND KEEP FOR FUTURE REFERENCE**

**TO REDUCE THE RISK OF INJURY TO PERSONS ENSURE THE UNIT IS CORRECTLY EARTHED.**

**DANGER:** Electric Shock Hazard - Touching some of the internal components can cause serious personal injury or death. Do not disassemble this appliance.

**WARNING:** Electric Shock Hazard - Incorrectly earthed units can result in electric shock.

When it comes to connecting your appliance, please follow the instructions below carefully.

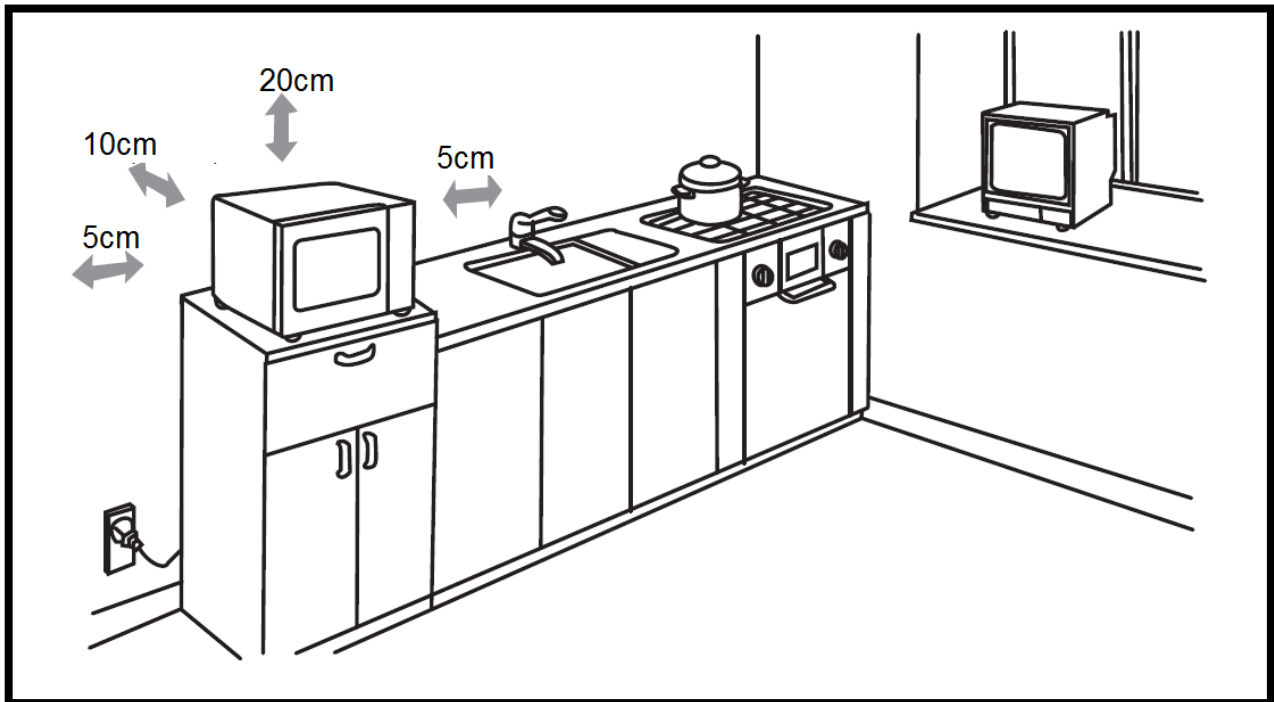
- This appliance is designed to be plugged into to the power supply.
- The plug contains an earth pin, and the microwave must be connected to a properly earthed socket.
- If there is not any appropriate earthed electrical outlet that conforms to regulations then one must be installed by a qualified electrician.
- The earthed electrical outlet must be near to the microwave.
- In case of any damage to the supply cable, you must call and arrange a certified and qualified electrician to replace the cable for you.
- You may damage the microwave if it is wired incorrectly. Any damage due to incorrect wiring will not be covered under the warranty.
- This appliance is only designed to connect to a standard 220-240V connection.
- The electrical cable must not touch hot parts of the appliance or the back of the appliance, otherwise the cable may get damaged and cause the appliance to short-circuit.
- The retailer and manufacturer have no responsibility against any kind of damage or loss that is caused from not following safety norms.

## SETTING UP YOUR OVEN

- Ventilation slots and intakes must not be covered.
- Remove all packing material and accessories.
- Examine the oven for any damage such as dents or damage to the door. Do not attempt to use if the oven is damaged.

Select a level surface that provides enough open space for the intake and outlet vents.

A 10 cm space should be kept between the appliance and the wall behind, a 5cm space should be left to either side of the microwave and a 20cm clearance above.



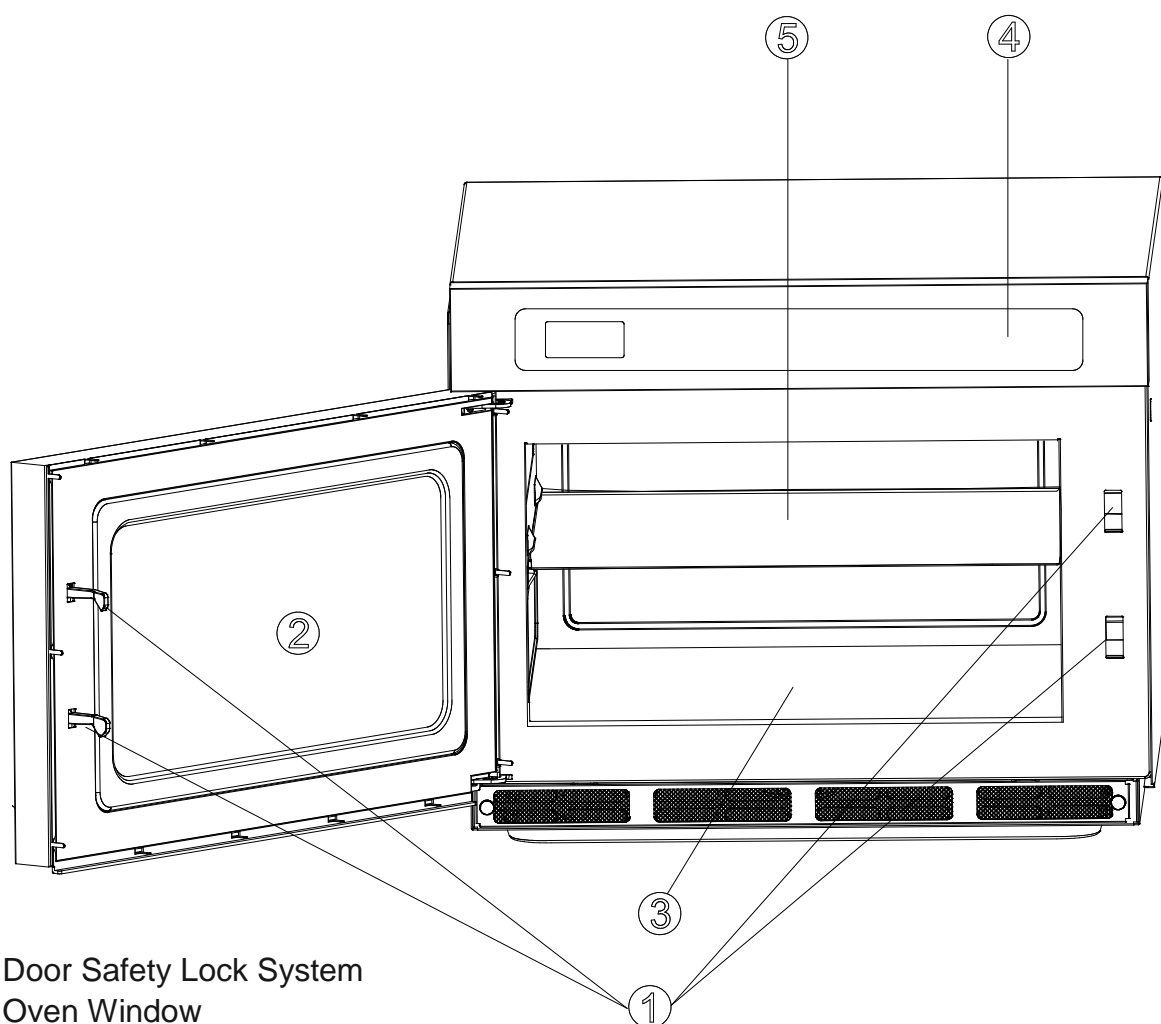
- Never remove the feet of the appliance, nor block the air intake and exhaust opening. The left side must be unobstructed.
- Blocking the intake and/or outlet openings can damage the oven.
- Place the oven far away as possible from radios and TVs. Operation of the microwave oven may cause interference to your radio or TV reception.
- Plug your oven into a standard household outlet. Be sure the voltage and the frequency is the same as the voltage and the frequency on the rating label.
- Warning: The plug socket and appliances which are liable to be affected by heat and moisture should be kept away from any vents on the oven.

## YOUR NEW APPLIANCE

Use this section to familiarise yourself with your new appliance. The control panel and the individual operating controls are explained. You will find information on the cooking compartment and the supplied accessories

## NAMES OF OVEN PARTS

Remove the oven and all materials from the carton and oven cavity.



1. Door Safety Lock System
2. Oven Window
3. Cavity Floor
4. Control Panel
5. Ceramic Board

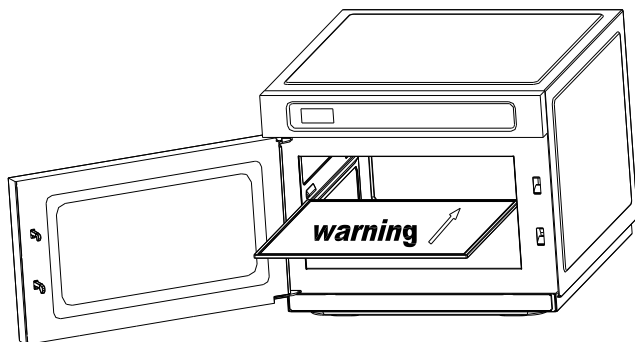
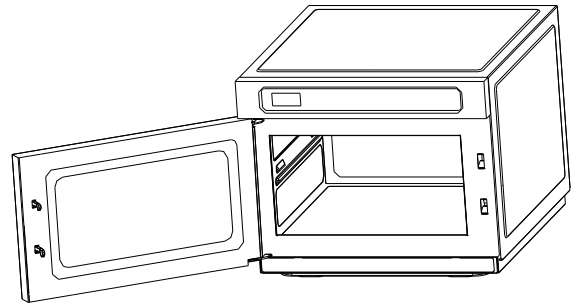


## THE CERAMIC BOARD

Your microwave is supplied with a removable ceramic board, you can install or remove it following the steps below:

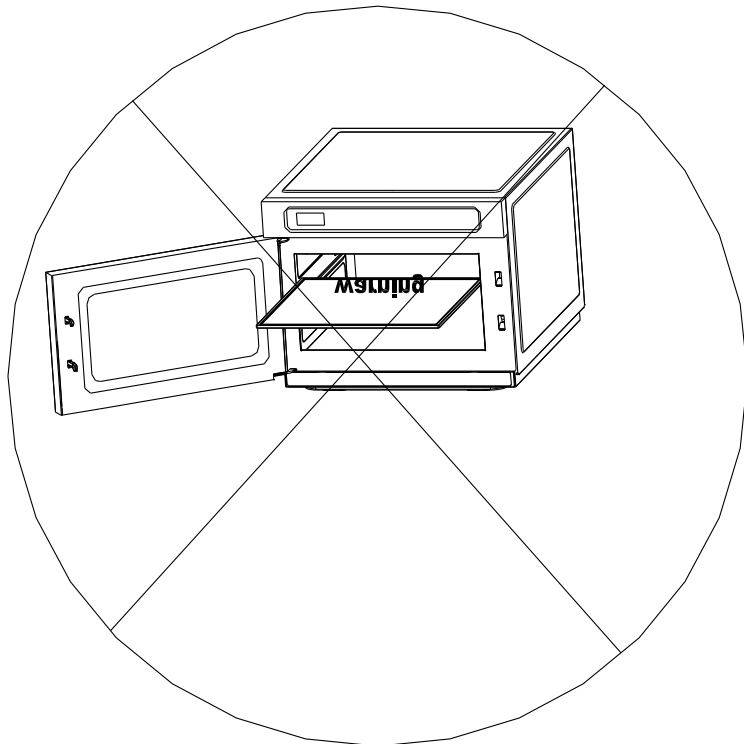
### TO INSTALL THE CERAMIC BOARD :

1. Unplug the microwave. Do not install the ceramic board until the cavity has cooled down to prevent burns or scalding.



2. Hold the ceramic board with both hands and gently slide it along the groove, to prevent damage to the microwave or board. Please make sure the board is installed between the grooves, not above them. And the board's warning is visible and on the front of the board.

3. Please ensure the ceramic board is pushed in fully to the end of the cavity. If it is incorrectly installed it may prevent closure of the microwave door.

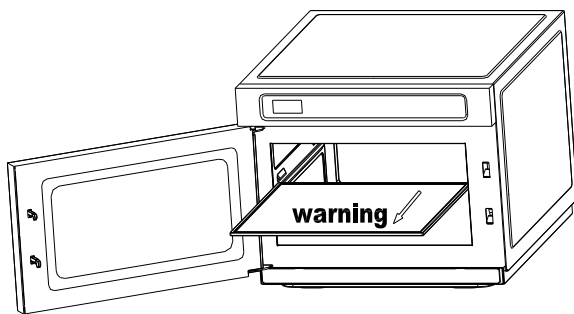
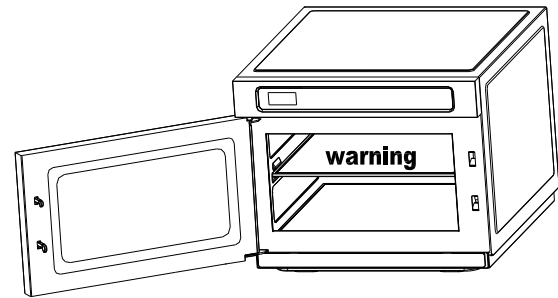


### WARNINGS

- NEVER ATTEMPT TO INSTALL THE BOARD UPSIDE DOWN.
- NEVER ATTEMPT TO INSTALL THE BOARD WITH THE WARNING TO THE REAR
- NEVER ATTEMPT TO INSTALL THE BOARD ABOVE THE GROOVE

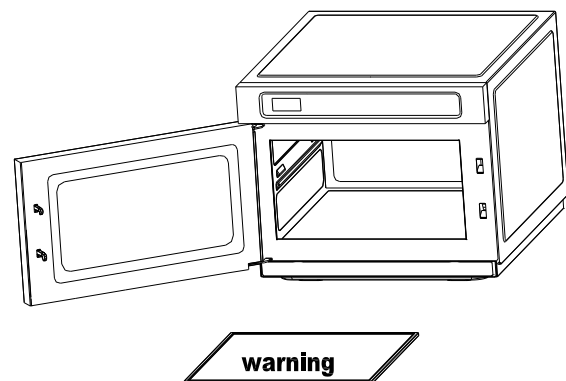
## TO REMOVE THE CERAMIC BOARD:

1. Unplug the microwave. Do not remove the ceramic board until the cavity and board have cooled down to prevent burns or scalding.



2. Gently pull the ceramic board along the grooves from the cavity, do not overexert or shake it to prevent damage.

3. When handling or storing the ceramic board care must be taken to prevent breakage.



# CONTROL PANEL

## NUMBER BUTTONS

Press these buttons to set the cooking time, set a cooking program etc.

## STOP/RESET

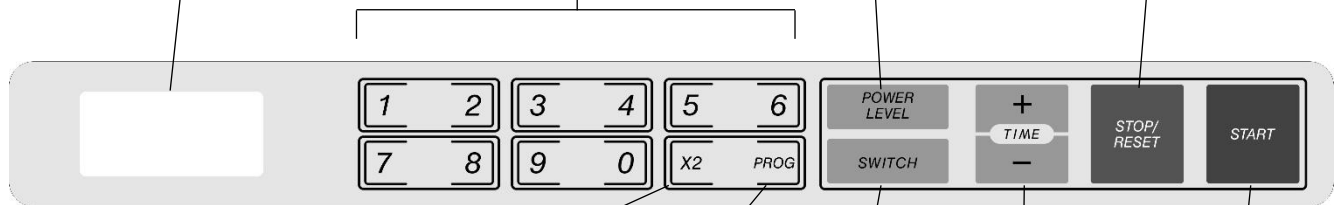
Press to stop or cancel a cooking program.

## DISPLAY

Shows Cooking time, Power, indicators and present time.

## POWER LEVEL

Press to select the cooking power.



## X2

Press to store a cooking program.

## PROG

Press to store a multi-stage cooking program. It is also used to set the child lock.

## SWITCH

Press to switch between single or double tube cooking modes.

## START

Press to start cooking program.

## TIME +/-

Press to adjust the cooking time.

## OPERATION INSTRUCTIONS

- When the microwave is powered on, it will beep, the display will illuminate blue and will show "0", the oven enter standby mode.
- The microwave will return to standby mode if there is not any input within 20 seconds.
- During cooking, press STOP/RESET to pause cooking, and then press START to resume. Press STOP/RESET twice to cancel the program.
- When the cooking program has finished "0" will flash and the microwave will beep. The microwave will continue to beep every two minutes until a button is pressed or the door is opened.

## MICROWAVE COOKING

Microwave cooking allows you to customize the cooking power and time. First, select a power level by pressing the POWER LEVEL button a number of times (see the table below). Then use the number buttons to enter cooking time. The maximum cooking time is 99 minutes and 99 seconds. The oven will start to cook after the START button is pressed.

1. Open the door, place food into the microwave and close the door.
2. Press the POWER LEVEL button a number of times until the screen show the desired power level.

<b>Press the POWER LEVEL button</b>	<b>Power Level</b>
Once	100% (HI)
Twice	80% (MED)
Third	30% (DEF)

3. Use the number buttons to enter the desired cooking time.
4. Press the START button.

## PRESET COOKING

It is possible to save frequently used cooking program to a number key, allowing it to be conveniently activated.

Each of the number buttons are pre-set with a cooking program. In standby mode, press any of the ten number buttons to select the program and press START to run it.

The following are the default settings for each of the number buttons.

Number Button	1	2	3	4	5	6	7	8	9	0
Default Cooking Time	0:10	0:20	0:30	0:45	1:00	1:30	2:00	2:30	3:00	3:30

When using a preset, the display will show the full time remaining for the preset, rather than the length of each stage. If the total cooking time is greater than 1 hour the display will show "1H"

## SAVE A MULTI-STAGE PRESET TO A NUMBER BUTTON

The user is free to change the cooking time stored under each of the ten presets at any time. A preset can contain up to 3 consecutive stages, with different power levels and cooking times. An example of setting a preset is given below:

To set medium power cooking for 8 minutes and save it to number button 5:

1. Press PROG once.
2. Press 5 ( To edit preset 5)
3. Press POWER LEVEL twice to select MED.
4. Press 8 then 0 then 0 ( To enter time as 8 minutes)
5. Press PROG to save.

To add extra stages, repeat steps 3 – 4 before the PROG button is pressed. Up to three stages can be set for each preset.

## FAST START OPTION FOR PRESETS

The microwave can be set up to start cooking as soon as a preset button is pressed, rather than requiring START to be pressed. The option selected will apply to both the standard presets, and the X2 presets.

**TO SET:** In standby mode, press and hold the STOP/RESET button for 5 seconds until "PL" appears on the display.

**TO CANCEL:** In standby mode, press and hold the STOP/RESET for 5 seconds until "P" appears on display.

## HOW TO USE THE X2 PAD

Extra cooking programs can be saved under the number buttons using the X2 function.

In standby mode, press the X2 button, then touch any of the ten number buttons to select the program and press START to run it.

The following are the default settings for each of the number buttons

<b>Number Button</b>	1	2	3	4	5	6	7	8	9	0
<b>Default Cooking Time</b>	0:20	0:40	1:00	1:30	2:00	3:00	4:00	5:00	6:00	7:00

X2 function can only program one stage cooking. An example of setting an X2 preset is given below:

### SAVE A PRESET USING THE X2 FUNCTION

The user is free to change the cooking time stored under each of the ten x2 presets at any time. These presets can contain only a single stage. An example of setting a X2 preset is given below:

To set full power for 3 minutes cooking on number 8.

1. Press the PROG button.
2. Press the X2 button.
3. Press number 8 (To edit preset 8)
4. Press the POWER LEVEL button once to select High power.
5. Press 3 then 0 then 0.
6. Press PROG to save.

## **COUNT OF OPERATIONS**

You can read the count of how many times the microwave has been used. To do this, In standby, press and hold the STOP/RESET button and press the POWER LEVEL button at the same time.

The number on display shows how many times the microwave has been used. This function is for the user to analyse the usage of the microwave and the traffic flow at a particular location where the microwave is being used commercially.

## **SWITCH**

The oven can use single tube or double tubes for cooking. For single tube mode, you can save power, while for double tubes, you can use less time to cook. The default setting for the oven is double tubes, however, you can press SWITCH to change between them before setting a cooking program.

## **ADJUST THE COOKING TIME**

During cooking, you can press the + or - to adjust the cooking time in 20 second increments. The maximum time you can set is 1H :99 minutes.

## **CHILD LOCK**

In standby mode, press and hold PROG for 5 seconds. The oven is locked. To release child lock, press and hold PROG for 5 seconds, the oven will return to standby..

## **FACTORY SETTINGS**

The oven can be returned to its factory settings and all user inputted presets removed by following the steps below:

1. Press and hold the START button, and plug the oven in.
2. Release the START button when "00:00" is displayed.
3. Press the following buttons in the following order:  
"1", "2", "3", "4", "5", "6", "7", "8", "9", "0", "POWER LEVEL", "X2", "PROG", "SWITCH", "+", "-", "STOP/RESET", "START".
4. The screen will show: "00 :18"
5. Open, close and reopen the door.
6. The microwave will bleep to signal it has returned to factory settings.

## CARE AND CLEANING

With careful care and cleaning your microwave oven will retain its looks and remain in good order. We will explain here how you should care for and clean your appliance correctly.

**Risk of electric shock!** Penetrating moisture may cause an electric shock. Do not use any high-pressure cleaners or steam cleaners.

**Risk of burns!** Never clean the appliance immediately after switching off. Let the appliance cool down.

**Risk of serious damage to health!** Microwave energy may escape if the cooking compartment door or the door seal is damaged. Never use the appliance if the cooking compartment door or the door seal is damaged. Contact the after-sales service.

### Notes

Slight differences in colour on the front of the appliance are caused by the use of different materials, such as glass, plastic and metal.

Shadows on the door panel which look like streaks, are caused by reflections made by the oven light. Unpleasant odours, e.g. after fish has been prepared, can be removed very easily. Add a few drops of lemon juice to a cup of water. Place a spoon into the container as well, to prevent delayed boiling (ensure the spoon is kept at least a few centimetres from the edge of the oven to prevent arcing). Heat the water for 1 to 2 minutes at maximum microwave power.

### CLEANING AGENTS

To ensure that the different surfaces are not damaged by using the wrong cleaning agent, observe the information in the table. Do not use

- Sharp or abrasive cleaning agents.
- Metal or glass scrapers to clean the glass in the appliance door.
- Metal or glass scrapers to clean the door seal.
- Hard scouring pads and sponges.
- Cleaning agents with high concentrations of alcohol.

Wash new sponge cloths thoroughly before use.

Allow all surfaces to dry thoroughly before using the appliance following cleaning

Area	Cleaning agents
Appliance front	<b>Hot soapy water:</b> Clean with a dish cloth and dry with a soft cloth. Do not use glass cleaners, metal scrapers or glass scrapers for cleaning.
Appliance front with stainless steel	<b>Hot soapy water:</b> Clean with a dish cloth and dry with a soft cloth. Remove flecks of limescale, grease, starch and albumin (e.g. egg white) immediately. Corrosion can form under such residues. Special stainless steel cleaning agents can be obtained from specialist shops. Do not use glass cleaners or metal or glass scrapers for cleaning.
Cooking compartment	<b>Hot soapy water or a vinegar solution:</b> Clean with a dish cloth and dry with a soft cloth. <b>If the oven is very dirty:</b> Do not use oven spray or other aggressive oven cleaners or abrasive materials. Scouring pads, rough sponges and pan cleaners are also unsuitable. These items scratch the surface. Ensure the interior is thoroughly dried before use.
Door panels	Glass cleaner: Clean with a dish cloth. Do not use a glass scraper.
Seal	Hot soapy water: Clean with a dish cloth, do not scour. Do not use a metal or glass scraper for cleaning.



## USE OF SUITABLE UTENSILS

See the table on "Materials you can use in microwave oven or to be avoided in microwave oven." There may be certain non-metallic utensils that are not safe to use for microwaving. If in doubt, you can test the utensil in question following the procedure below.

### Utensil Test:

1. Fill a microwave-safe container with 1 cup of cold water (250ml) along with the utensil in question.
2. Cook on maximum power for 1 minute.
3. Carefully feel the utensil. If the empty utensil is warm, do not use it for microwave cooking.
4. Do not exceed 1 minute cooking time.

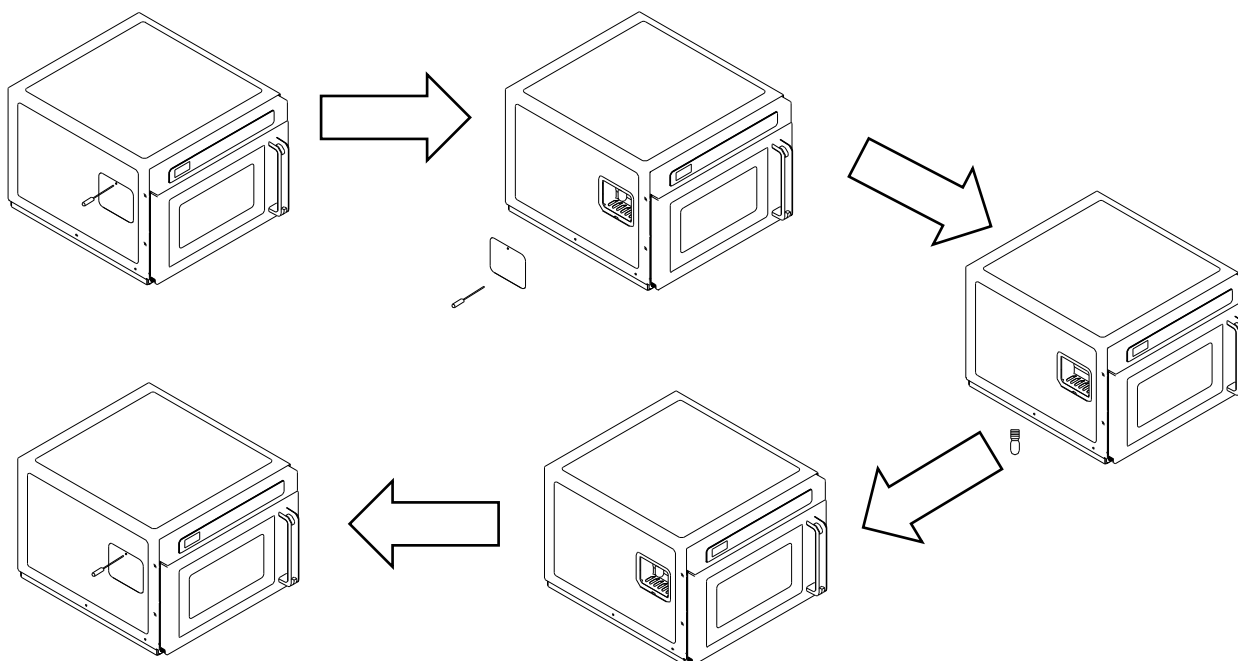
<b>Materials you can use in microwave oven</b>	
<b>Utensils</b>	<b>Remarks</b>
Browning dish	Follow manufacturer's instructions. The bottom of browning dishes must be at least 3/16 inch (5mm) above the turntable (Use a rack). Incorrect usage may cause the turntable to break.
Dinnerware	Microwave-safe only. Follow the manufacturer's instructions. Do not use cracked or chipped dishes.
Glass jars	Always remove lid. Use only to heat food until just warm. Most glass jars are not heat resistant and may break.
Glassware	Heat-resistant oven glassware only. Make sure there is no metallic trim. Do not use cracked or chipped glassware.
Oven cooking bags	Follow manufacturer's instructions. Do not close with a metal tie. Make slits to allow steam to escape.
Paper plates and cups	Use for short-term cooking/warming only. Do not leave oven unattended while cooking.
Paper towels	Use to cover food for reheating and absorbing fat. Use with supervision for a short-term cooking only.
Parchment paper	Use as a cover to prevent splattering or a wrap for steaming.
Plastic	Microwave-safe only. Follow the manufacturer's instructions. Should be labelled "Microwave Safe". Some plastic containers soften, as the food inside gets hot. "Boiling bags" and tightly closed plastic bags should be slit, pierced or vented as directed on the packaging.
Plastic wrap	Microwave-safe only. Use to cover food during cooking to retain moisture. Do not allow plastic wrap to touch food.
Thermometers	Microwave-safe only
Wax paper	Use as a cover to prevent splattering and retain moisture.
<b>Materials to be avoided in microwave oven</b>	
<b>Utensils</b>	<b>Remarks</b>
Aluminium tray	May cause arcing. Transfer food into microwave-safe dish.
Food carton with metal handle	May cause arcing. Transfer food into microwave-safe dish.
Metal or metal trimmed utensils	Metal shields the food from microwave energy. Metal trim may cause arcing.
Metal twist ties	May cause arcing and could cause a fire in the oven.
Paper bags	May cause a fire in the oven.
Plastic foam	Plastic foam may melt or contaminate the liquid inside when exposed to high temperature.
Wood	Wood will dry out when used in the microwave oven and may split or crack.

## REPLACEMENT OF THE LIGHT BULB

The lamp within the microwave is replaceable. Before replacing the bulb ensure that the unit is disconnected from power by removing the plug from the microwave. The bulb must be replaced by a competent

Bulb Type: E14A/T170 230v~ 240v / 20w

1. Remove the bulb cover using a Philips screwdriver
2. Twist the bulb in an anti-clockwise direction gently to remove.
3. Twist the new bulb in a clockwise direction to install it into the fitting, ensuring it is secure.
4. Replace the bulb cover and fasten it securely with a screw.



## TROUBLESHOOTING

Problem	Possible cause	Remedy/information
The appliance does not work.	Faulty circuit breaker.	Look in the fuse box and check that the circuit breaker for the appliance is in working order.
	Power Switched off	Check that the wall switch is in the on position.
	Power cut	Check whether the kitchen light works.
The microwave does not switch on.	Door not fully closed.	Check whether food residue or debris is trapped in the door.
It takes longer than before for the food to heat up in the microwave	The selected microwave power level is too low.	Select a higher power level.
	A larger amount than usual has been placed in the appliance.	Double the amount = almost double the cooking time.
	The food was colder than usual.	Stir or turn the food during cooking.

## SPECIFICATIONS

Power Supply	230-240V/ 50Hz
Power Consumption (Microwave)	2800W(2 TUBES) 1400W (1 TUBE)
Rated Microwave Power Output:	1800W(2 TUBES) 900W (1 TUBE)
Operation Frequency:	2450MHz
Outside Dimensions:	405mm(H)×490mm(W)×637mm(D)
Oven Cavity Dimensions:	224mm(H)×374mm(W)×378mm(D)
Oven Capacity:	30Litres
Net Weight:	Approx. 34.5kg



According to Waste of Electrical and Electronic Equipment (WEEE) directive, WEEE should be separately collected and treated. If at any time in future you need to dispose of this product please do NOT dispose of this product with household waste. Please send this product to WEEE collecting points where available.

### electriQ UK Support

[www.electriQ.co.uk/support](http://www.electriQ.co.uk/support)

0871 620 1057

Office hours: 9AM - 5PM Monday to Friday

[www.ElectriQ.co.uk](http://www.ElectriQ.co.uk)

**Unit J6, Lowfields Business Park**

Lowfields Way, Elland

West Yorkshire, HX5 9DA