

electriQ

USER MANUAL



CANOPY COOKER HOOD KITCHEN EXTRACTOR FAN IN SILVER

eiQCH110CEILING

Thank you for choosing your electriQ cooker hood.

This instruction manual is designed to provide you with all required instructions related to the installation, use and maintenance of the appliance. In order to operate the unit correctly and safely, please read this instruction manual carefully before installation and usage.

CONTENTS

SAFETY	3
PARTS LIST	5
VENTING INFORMATION	6
INSTALLATION	7
OPERATION	10
REMOTE CONTROL	11
CLEANING AND MAINTENANCE	12
FILTER INFORMATION	12
BULB REPLACEMENT	14
TROUBLESHOOTING	14
PRODUCT FICHE	15
SUPPORT	16

SAFETY PRECAUTIONS

Whilst this product is compliant with all safety requirements, incorrect or inappropriate use can lead to both personal injury and potential damage to property. Please read the contents of this instruction booklet thoroughly before fitting or using this appliance.

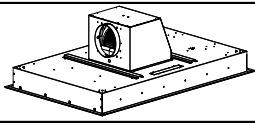
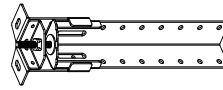
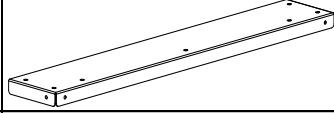
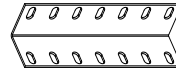
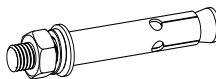
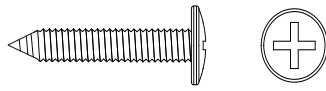


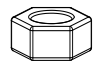
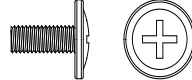


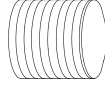


- The cooker hood must be installed in accordance with the installation instructions and all measurements followed.
- All installation work must be carried out by a competent person or qualified electrician.
- The unit must be connected to an earthed power supply.
- If venting externally, make sure the ducting has no bends sharper than 90 degrees as this will reduce the efficiency of the cooker hood.
- The cooker hood is for domestic use only and is not designed for commercial use. It should only be used for the purpose it was intended – to extract vapours and cooking odours.
- Do not flambé or use an open flame under the cooker hood.
- Do not try to use the cooker hood without the grease filters or if the filters are excessively greasy! They should be cleaned regularly (see “Maintenance”) or replaced as necessary.
- The extraction fan must be level to avoid grease collection at one end, as this could cause a potential fire risk.
- Do not leave frying pans unattended during use because overheated fat or oils might catch fire.
- If the cooker hood is damaged, do not attempt to use it.
- If the supply cord is damaged, it must be replaced by the manufacturer, its service agent or a similarly qualified person in order to avoid a hazard.
- This appliance can be used by children aged from 8 years and above and persons with reduced physical, sensory or mental capabilities or lack of experience and knowledge if they have been given supervision or instruction concerning use of the appliance in a safe way and understand the hazards involved.
- Children shall not play with the appliance. Cleaning and user maintenance shall not be made by children without supervision.
- Children should be supervised to ensure that they do not play with the appliance. It is not a toy.
- The plug must be accessible after installation for isolation in case of an emergency – or an appropriate fused switch if the unit is hard-wired to the mains via a spur.
- The minimum distance between the surface of the hob and the lowest part of the hood should be at least 65cm. A distance of between 65cm

and 75cm gives peak efficiency.

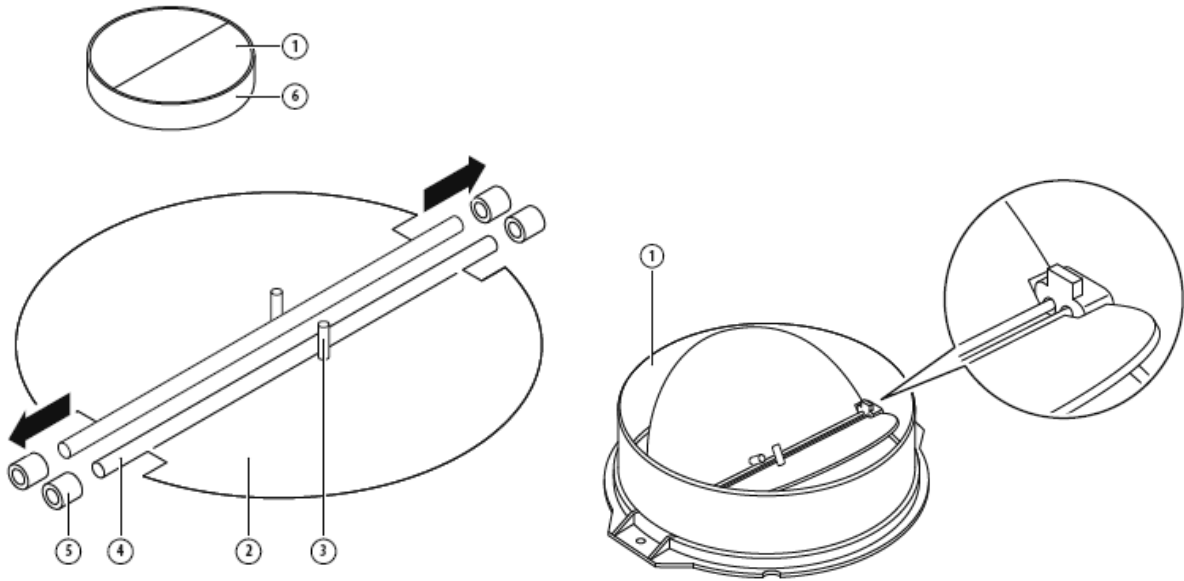
- The air must not be discharged into a flue that is used for exhausting fumes from appliances burning gas or other fuels.
- When the hood is vented externally and used with appliances which burn fuel (e.g. gas, oil, wood) the area must be sufficiently ventilated to ensure safe operation. Fresh air must be allowed to freely enter the room to prevent a partial vacuum.
- A partial vacuum can starve the heating appliance of oxygen, impairing combustion. It can also prevent toxic fumes from leaving the room, or can cause fumes to be sucked into the room from outside.
- Safe operation is only possible when the partial vacuum within the working area does not exceed 4 Pa (0.04 mbar). This can be achieved by ensuring air is able to enter the room from outside through a suitable sized opening which cannot be sealed during operation. A number of alternative solutions are available to ensure this. If in any doubt, professional advice should be sought.
- Regulations concerning the discharge of air have to be fulfilled.
- There is a potential fire risk if cleaning is not carried out in accordance with the instructions.
- Clean your appliance periodically by following the method given in the chapter MAINTENANCE
- If used in recirculation mode, the charcoal filters trap odours and must be replaced at least once a year depending on how frequently the cooker hood has been used.
- For safety reason, please use only the same size of fixing or mounting screw, which are recommended in this instruction manual.
- Warning: Failure to install the screws or fixing device in accordance with these instructions may result in electrical hazards

CAUTION: Accessible parts of the hood can become very hot during use with cooking appliances, whether in use or not, due to heat rising from the hob. Sufficient time should be allowed for the unit to cool before touching either the housing or the grease filters.

PARTS LIST

No.	DESCRIPTION	ILLUSTRATION	QTY
1	cooker hood		1
2	adjustable angle iron bracket assembly		4
3	hanging board		2
4	angle iron(length 140mm)		8
5	Explode screw($\phi 6 \times 60\text{mm}$)		14
6	screw(ST6*40mm)		14
7	wall plug		14
8	gasket($\phi 4 \times 12 \times 1\text{mm}$)		42
9	screw nut (M4)		42
10	screw with gasket(M4*10mm)		50
11	cable tie(8*550mm)		1
12	v-flap(150)		1
13	expansion pipe		1
14	converter		1
15	remote control		1

V-FLAP INSTALLATION



OPTIONS FOR VENTILATION

This hood can be set up for either external venting or recirculation of the air. The type of setup should be decided before commencing installation.

EXTERNAL VENTING

A flexible pipe is provided which allows the cooking odours to be extracted outside. If this is the chosen installation method consideration to the route of the vent pipe should be made. The unit is also provided with an adaptor allowing pre-existing 120mm ducting to be used to vent the unit.

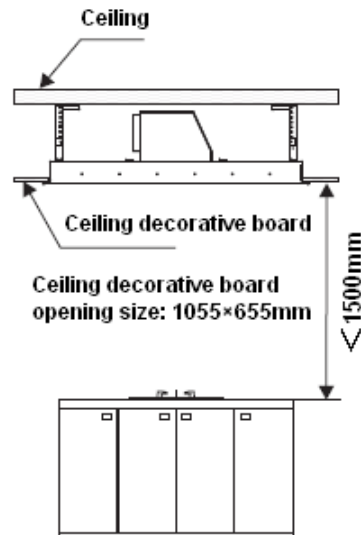
RECIRCULATION

This Cooker hood also supports the recirculation of the air once it has passed through the filters. The filtered air is then expelled through the vent holes in the side of the chimney.

When setting the unit up in this configuration, carbon filters should also be used to remove odours from the air. Details of sourcing and fitting the filters can be found in the Carbon filter section.

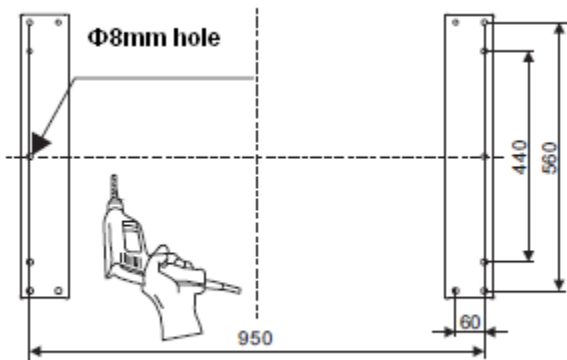
INSTALLATION

1. The cooker hood should not be placed at a distance of no more than 1500mm from the ceiling for the best performance. Refer to Pic 1.
2. The ceiling must can bear at least 120KGs weight, and the thickness of the ceiling must be greater than 30MM.

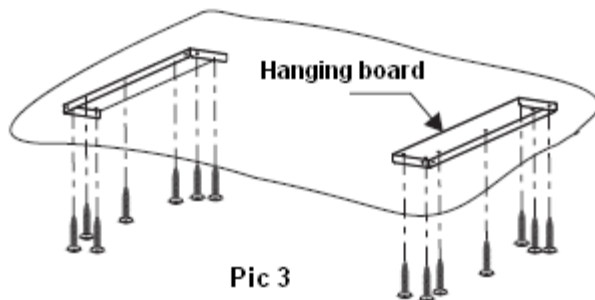


Pic 1

3. Drill 14pcs ϕ 8mm holes on the ceiling once the installation height has been determined.

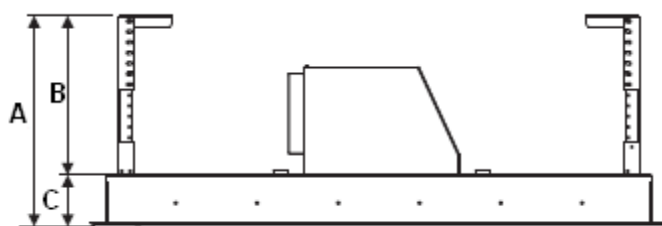


Pic 2

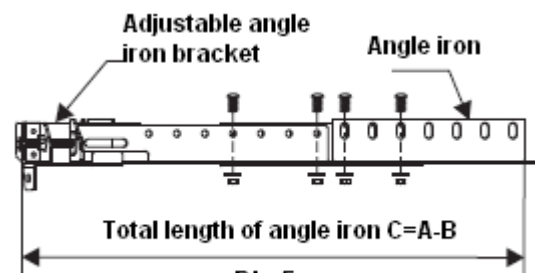


Pic 3

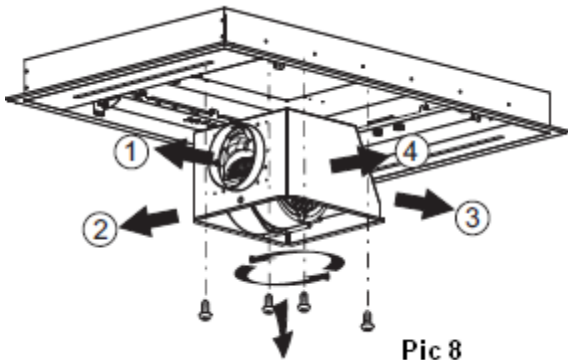
4. Calculate the length of the angle iron then use the M4*10 screws and M4 nut with gasket to connect the angle iron into the adjustable angle iron bracket. Ensure the overlap length of angle iron is no less than 36mm.



Pic 4

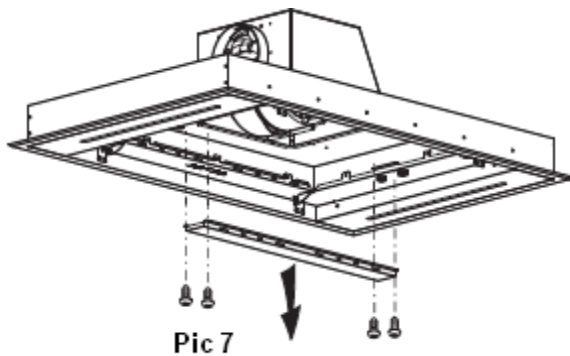
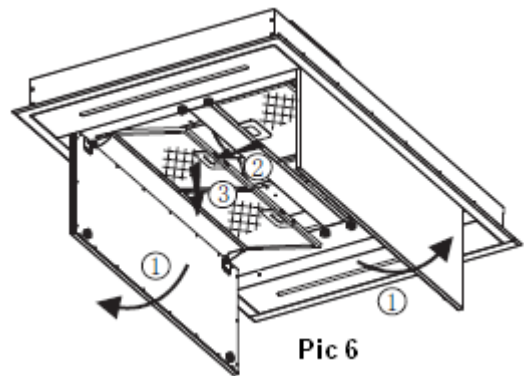


Pic 5



5. Decide on the direction of the air outlet. ①/②/③/④

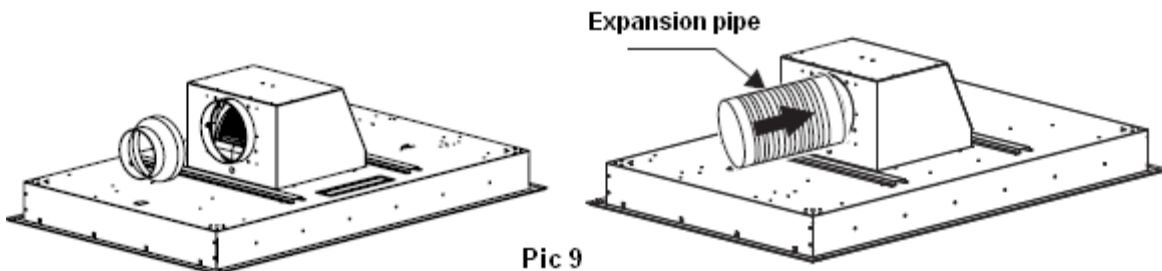
6. open the decorative plate in order, and take out the filter.



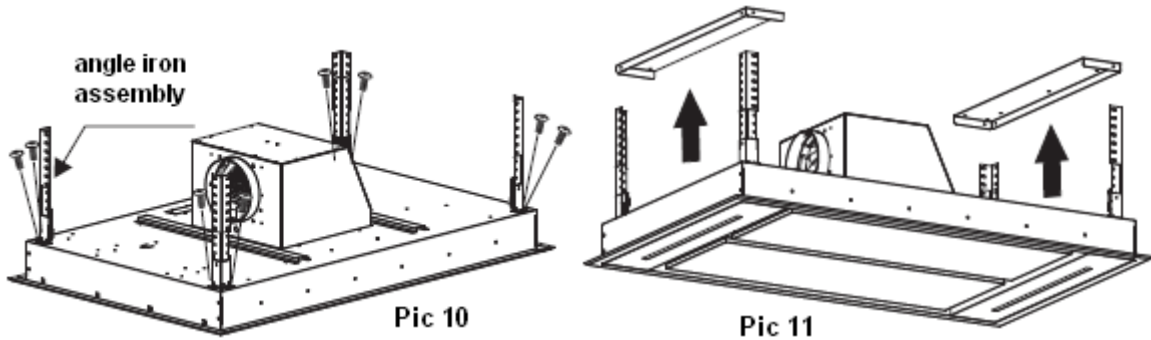
7. Refer to Pic 7, unscrew and take away the 4 pcs ST4*8mm screws that on the panel decorative strip.

8. Unscrew the 8pcs machine silk from the bottom of the cabinet housing and rotate it by 90°/180°/270° to choose the direction of the outlet, then screw the 8 pcs machine silk to fix the housing well.

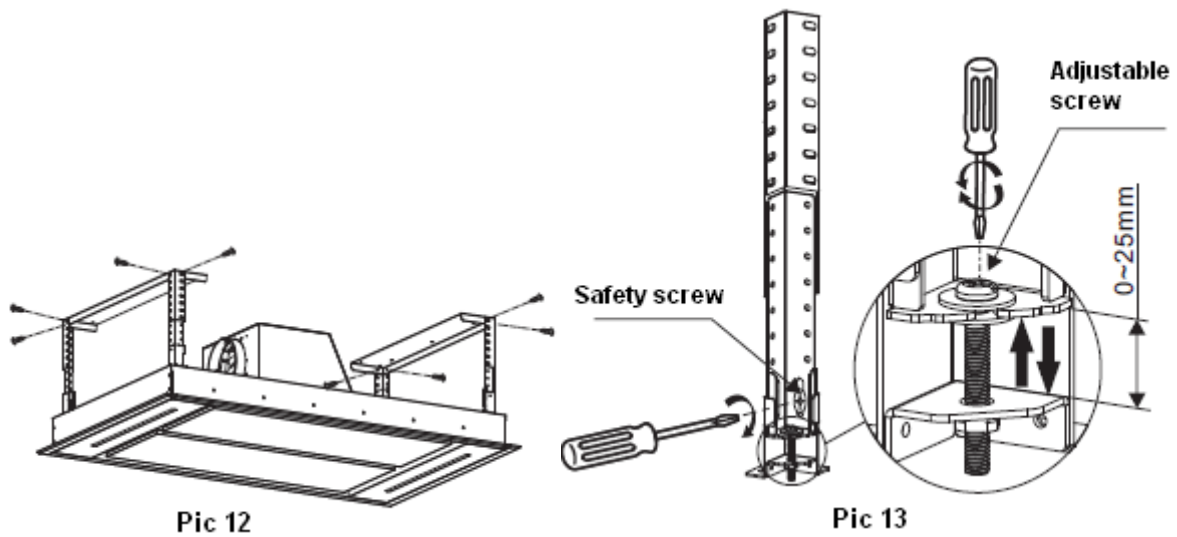
9. Install the panel decorative strip and filter. Install the expansion pipe to the outlet (refer to pic 9). If you want to use the converter, you need to fix the converter on the outlet and then fix the expansion pipe.



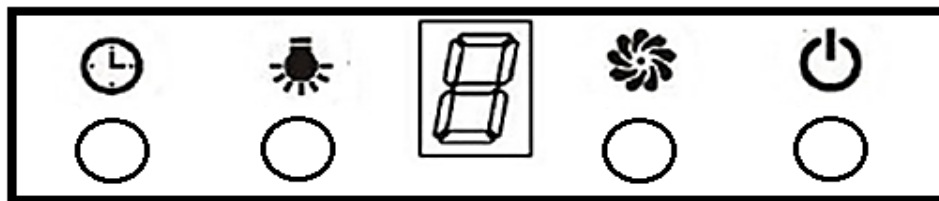
10. Connect the 4 adjustable angle iron brackets with the housing using M4*12mm machine silk screws. Lift up the housing and use M4*12mm machine silk screws and M4 nut with gasket to fix the housing onto the 2 hanging board and pull the expansion pipe outside. (Note: The expansion pipe must be fixed on the housing firmly.)







11. After installing the housing to the hanging board, use a screwdriver or straight to adjust the angle iron bracket, direct the housing level position and height till it is suitable. Screw the safety screw tightly after the level position and height is suitable.




OPERATION

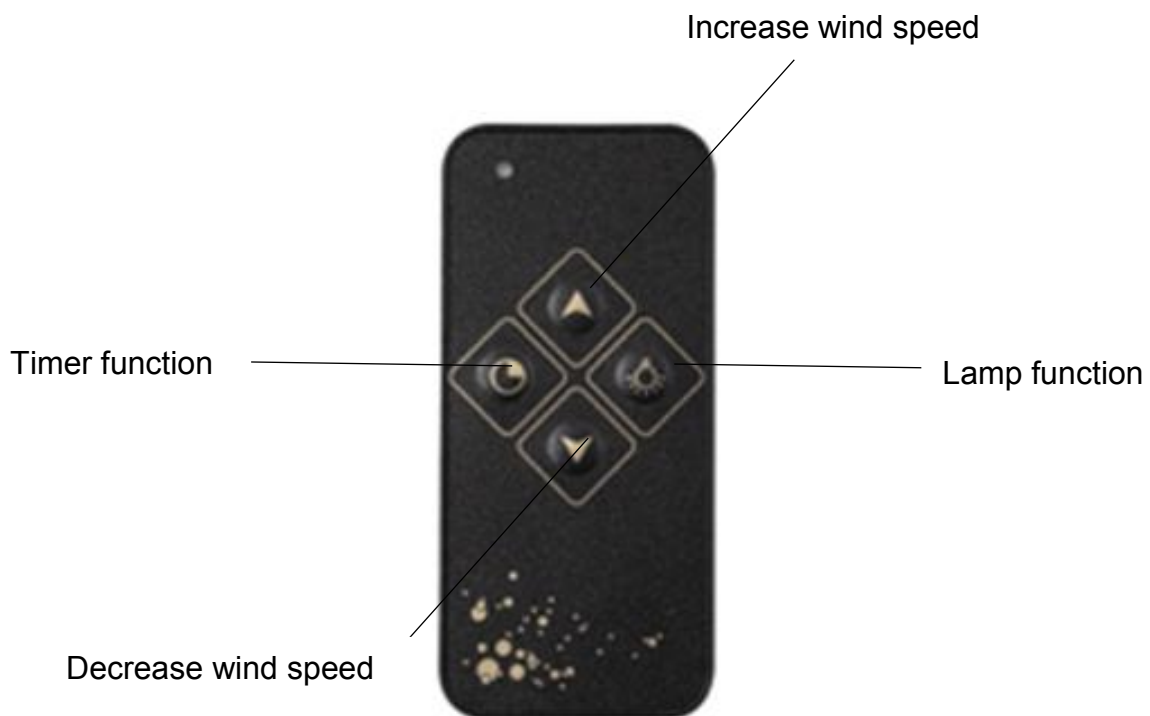


OPERATION	DESCRIPTION
	<p>POWER</p> <p>Press the power button to turn the unit on and off. When the unit is turned on the hood will start automatically at low fan speed. When the hood is turned off, the hood will remember the last speed used and start at the speed when next turned on.</p>
	<p>TIMER</p> <p>The timer button is used to set the timer. Press the button once to enter the function, and press again to cancel the timer. The timer is only available when the unit is powered on. The timer starts at 9 minutes by default. The display will show 9. The display shows how much time the timer has left. The motor and light will turn off when the timer finishes.</p> <p>Pressing the speed button will exit the timer.</p>
	<p>LIGHT</p> <p>Press to turn the lamp on and off. The lamp function can be used when the unit is powered off.</p>
	<p>FAN</p> <p>Press the fan button to cycle through the three available fan speeds: LOW/ MID/ HIGH.</p> <p>LOW= 1</p> <p>MID= 2</p> <p>HIGH= 3</p>



REMOTE CONTROL

15 seconds after the cooker hood is connected to the power supply, press and hold  for 5 seconds, the indicator lights will begin flashing. The cooker hood is in connection mode.

Press any button on remote control to confirm the connection. The connection process finished and the remote control can be used for speed selection, lighting and timer setting.



NOTE: If you want to connect again, you will need to clear the code that has been set up previously.

To clear the code, press and hold  for 5 seconds the indicator lights will begin flashing. The cooker is in connection mode. Then, press  again for 5 seconds, the previous connection code is cleared.

CLEANING AND MAINTENANCE

Disconnect range hood from power supply before cleaning or servicing.

1. Clean the hood surface frequently using mild detergent and a warm damp sponge or cloth.
2. Do not use harsh alkalis or abrasives.
3. Avoid the use of scouring powers or dishwasher compounds.
4. If the optional carbon filter is being used, these cannot be cleaned and require replacing every 2-3 months depending on frequency of use. They are available from the retailer who supplied your hood.

Information

Cleaning water must be kept away from the motor, control switch and all electrical components.

GREASE FILTERS

It is recommended that the grease filter is cleaned every two to three months by carrying out the following instruction:

1. Remove the grease filter from the cooker hood and wash it in a solution of warm water and neutral liquid detergent, leaving to soak.
2. Rinse thoroughly with warm water and allow to dry thoroughly before refitting.
3. The metallic filter may alter in colour after several washes.

There is a fire risk if cleaning is not carried out in accordance with the instructions.

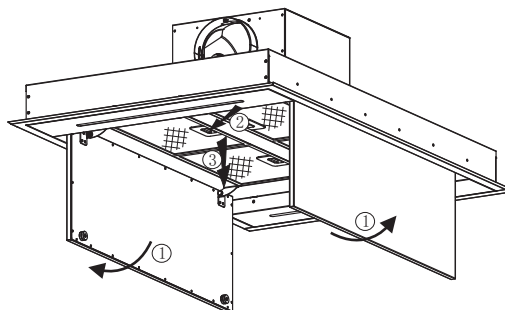
Replacement grease filters are available under the following codes:

HOOD	GREASE FILTER
eiqch110ceiling	eiqgfceiling

INSTALLING GREASE MESH FILTERS

To install filters for the following four steps.

1. Angle the filter into slots at the back of the hood.
2. Push the button on handle of the filter.
3. Release the handle once the filter fits into a resting position.
4. Repeat to install all filters.

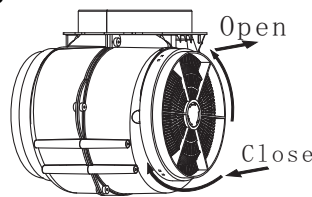


CARBON FILTER-not supplied

Activated carbon filter can be used to trap odors. Normally the activated carbon filter should be changed at three or six months according to your cooking habit. The installation procedure of activated carbon filter is as below.

Attention for outdoor ventilation of cooker hood: If you choose ② or ④ air direction, you need to remove the filter and panel decorative strip according to steps “6” and “7” of INSTALLATION to install and remove carbon filters.

1. Before installing or replacing the carbon filters, disconnect the mains power to the unit.
2. Press the filter lock and remove the mesh filter.
3. Turn the carbon filter on both sides of the motor anti-clockwise. Replace the carbon filters with the new carbon filters.
4. Replace the mesh filter.
5. Connect the power supply to the wall socket.



NOTE:

- Make sure the filter is securely locked. Otherwise, it would loosen and cause danger.
- When activated carbon filter attached, the suction power will be lowered.

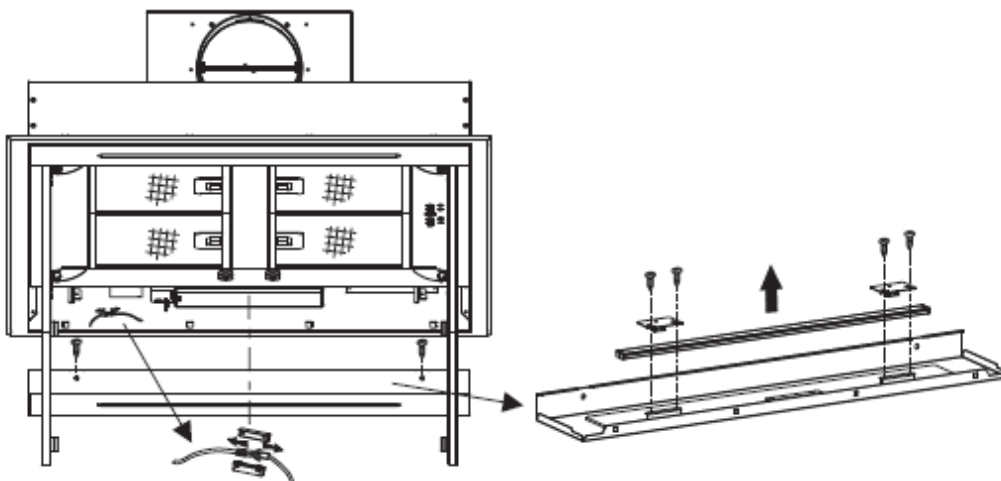
CHANGING THE LIGHTS

Before changing the lights, make sure that the appliance is turned off and unplugged.

1. Use a screwdriver to remove the 2 screws on the lamp board. Open the terminal box and then remove the lamp board assembly.
2. Loosen the 4 screws on the lamp board, take down the lamp strip and replace it.
3. Reinstall the lamp cover securely.

ILCOS D code for this lamp is: DSL-5-S-450

- LED modules –LED lamp strip
- Max wattage: 2×5 W
- Voltage range: DC 12V
- Dimensions: 450mm



TROUBLESHOOTING

Fault	Cause	Solution
Light on, but fan does not work	The fan blade is jammed.	Switch off the unit. Repair to be carried out by qualified service personnel only.
	The motor is damaged.	
Both light and fan do not work	Power cord loose	Plug in to the power supply again.
Excessive Vibration	The fan blade is damaged.	Switch off the unit. Repair to be carried out by qualified service personnel only.
	The fan motor is not fixed tightly.	Switch off the unit. Repair to be carried out by qualified service personnel only.
	The unit is not hung properly on the bracket.	Take down the unit and check whether the bracket is in proper location.
Suction performance not good	<ol style="list-style-type: none"> 1. Grease filters clogged 2. Distance between the unit and the cooking plane too great. 	<ol style="list-style-type: none"> 1 Clean or replace grease filters. 2 Adjust the distance to between 70cm and 80cm.

The following shows how to reduce total environmental impact (e.g. energy use) of the cooking process).

- (1) Install the cooker hood in a proper place where there is efficient ventilation.
- (2) Clean the cooker hood regularly so as not to block the airway.
- (3) Remember to switch off the cooker hood light after cooking.
- (4) Remember to switch off the cooker hood after cooking.

INFORMATION FOR DISMANTLING

Do not dismantle the appliance in a way which is not shown in the user manual. The appliance could not be dismantled by user. At the end of life, the appliance should not be disposed of with household waste. Check with your Local Authority or retailer for recycling advice.

PRODUCT FICHE

	Symbol	Value	Unit
Model identification		eiQCH110CEILING	
Annual Energy Consumption	AEC_{hood}	62,9	kWh/a
Time increase factor	f	0.8	
Fluid Dynamic Efficiency	FDE_{hood}	32.4	
Fluid Dynamic Efficiency class		Class A	
Energy Efficiency Index	EEl_{hood}	50.7	
Energy Efficiency class		Class A	
Maximum air flow - boost setting	Q_{max}	886.2	
Maximum airflow -highest setting	Q_{max}	623.7	m ³ /h
Measured airflow rate at the best efficiency	Q_{BEP}	498.6	m ³ /h
Measured air pressure at best efficiency point	P_{BEP}	435	Pa
Measured electric power input at best efficiency point	W_{BEP}	185.7	W
Nominal power of the lighting system	W_L	11.9	W
Average illumination of the lighting system on the cooking surface	E_{middle}	183	lux
Measured power consumption on off mode	P_o	-	W
Measured power consumption on standby mode	P_s	0,43	W
Sound power level	LWA	Boost setting:77 Highest setting:75 Lowest setting:67	dB

electriQ UK SUPPORT

www.electriQ.co.uk/support

Call: 0330 390 3061

Office hours: 9AM - 5PM Monday to Friday

www.electriQ.co.uk

Unit J6, Lowfields Business Park
Lowfields Way, Elland
West Yorkshire, HX5 9DA



Recycling facilities are now available for all customers at which you can deposit your old electrical products. Customers will be able to take any old electrical equipment to participating sites run by their local councils. Please remember that this equipment will be further handled during the recycling process, so please be considerate when depositing your equipment. Please contact the local council for details of your local household waste recycling centres.