

# electriQ

## USER MANUAL



## CANOPY COOKER HOOD KITCHEN EXTRACTOR FAN IN SILVER

**eiQ52CANOPY**  
**eiQ70CANOPY**

Thank you for choosing your electriQ cooker hood. This instruction manual is designed to provide you with all required instructions related to the installation, use and maintenance of the appliance. In order to operate the unit correctly and safely, please read this instruction manual carefully before installation and usage.

## **CONTENTS**

SAFETY	3
INSTALLATION	5
OPERATION	7
CLEANING AND MAINTENANCE	7
FILTER INFORMATION	8
LIGHT INFORMATION	9
TROUBSLEHSOOTING	10
SUPPORT	10
PRODUCT FICHE	11

## SAFETY PRECAUTIONS

Whilst this product is compliant with all safety requirements, incorrect or inappropriate use can lead to both personal injury and potential damage to property. Please read the contents of this instruction booklet thoroughly before fitting or using this appliance.

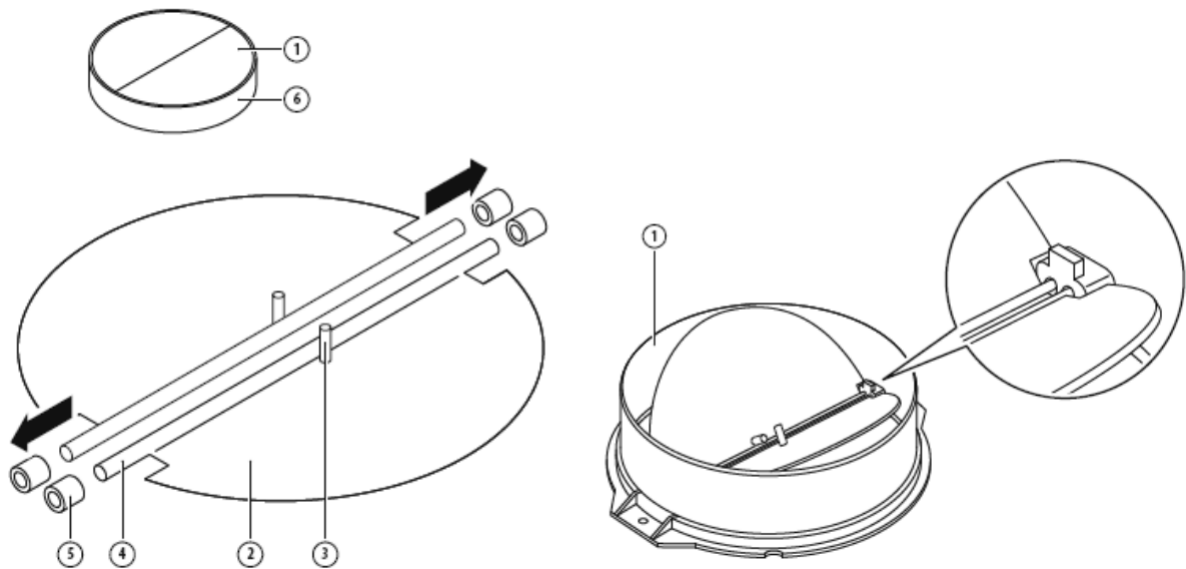
- The cooker hood must be installed in accordance with the installation instructions and all measurements followed.
- All installation work must be carried out by a competent person or qualified electrician.
- The unit must be connected to an earthed power supply.
- If venting externally, make sure the ducting has no bends sharper than 90 degrees as this will reduce the efficiency of the cooker hood.
- The cooker hood is for domestic use only and is not designed for commercial use. It should only be used for the purpose it was intended to extract vapours and cooking odours.
- Do not flambé or use an open flame under the cooker hood.
- Do not try to use the cooker hood without the grease filters or if the filters are excessively greasy! They should be cleaned regularly (see “Maintenance”) or replaced as necessary.
- The extraction fan must be level to avoid grease collection at one end, as this could cause a potential fire risk.
- Do not leave frying pans unattended during use because overheated fat or oils might catch fire.
- If the cooker hood is damaged, do not attempt to use it.
- If the supply cord is damaged, it must be replaced by the manufacturer, its service agent or a similarly qualified person in order to avoid a hazard.
- This appliance can be used by children aged from 8 years and above and persons with reduced physical, sensory or mental capabilities or lack of experience and knowledge if they have been given supervision or instruction concerning use of the appliance in a safe way and understand the hazards involved.
- Children shall not play with the appliance. Cleaning and user maintenance shall not be made by children without supervision.
- Children should be supervised to ensure that they do not play with the appliance. It is not a toy.
- The plug must be accessible after installation for isolation in case of an emergency – or an appropriate fused switch if the unit is hard-wired to the mains via a spur.
- The minimum distance between the surface of the hob and the lowest part of the hood should be at least 65cm. A distance of between 65cm

and 75cm gives peak efficiency.

- The air must not be discharged into a flue that is used for exhausting fumes from appliances burning gas or other fuels.
- When the hood is vented externally and used with appliances which burn fuel (e.g. gas, oil, wood) the area must be sufficiently ventilated to ensure safe operation. Fresh air must be allowed to freely enter the room to prevent a partial vacuum.
- A partial vacuum can starve the heating appliance of oxygen, impairing combustion. It can also prevent toxic fumes from leaving the room, or can cause fumes to be sucked into the room from outside.
- Safe operation is only possible when the partial vacuum within the working area does not exceed 4 Pa (0.04 mbar). This can be achieved by ensuring air is able to enter the room from outside through a suitable sized opening which cannot be sealed during operation. A number of alternative solutions are available to ensure this. If in any doubt, professional advice should be sought.
- Regulations concerning the discharge of air have to be fulfilled.
- There is a potential fire risk if cleaning is not carried out in accordance with the instructions.
- Clean your appliance periodically by following the method given in the chapter MAINTENANCE.
- If used in recirculation mode, the charcoal filters trap odours and must be replaced at least once a year depending on how frequently the cooker hood has been used.
- For safety reason, please use only the same size of fixing or mounting screw, which are recommended in this instruction manual.
- Warning: Failure to install the screws or fixing device in accordance with these instructions may result in electrical hazards

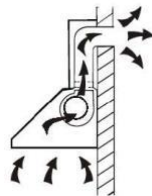
**CAUTION:** Accessible parts of the hood can become very hot during use with cooking appliances, whether in use or not, due to heat rising from the hob. Sufficient time should be allowed for the unit to cool before touching either the housing or the grease filters.

## V-FLAP INSTALLATION

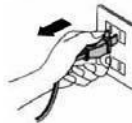


## INSTALLATION

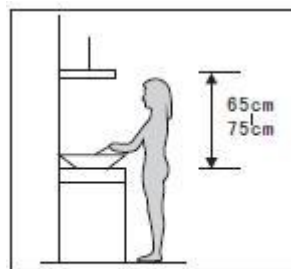
If you have an outlet to the outside, your cooker hood can be connected as below picture by means of an extraction duct (enamel, aluminium, flexible pipe or non-flammable material with an interior diameter of 150/120mm).



1. Before installation, turn the unit off and ensure it is not plugged in.

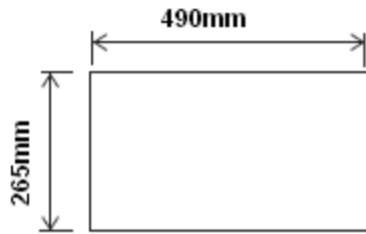


2. The cooker hood should be placed at a distance of 65~75cm above the cooking surface for best effect.

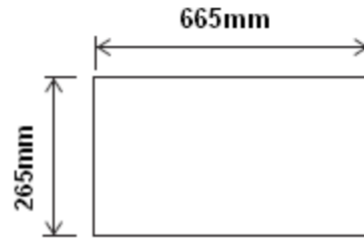


Pic 1

3. Drill a hole in the cupboard, with hole wide 490\*265(mm)for 52CM, hole wide 665\*265(mm) for 70CM.Refer to pic below. Make sure the distance between the edge of the hole and the edge of the cupboard edge is at least 35mm.



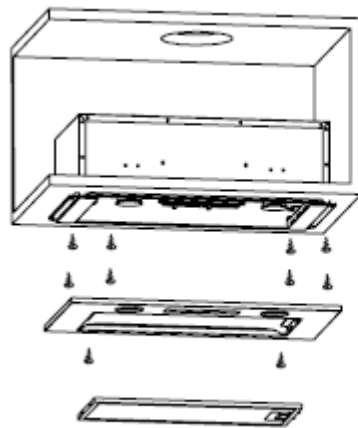
Pic 2 (a)



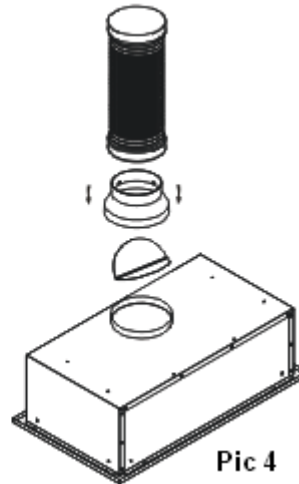
Pic 2(b)

4. Remove the aluminium filter and remove the two front panel screws.
5. Use a screwdriver to secure the 8pcs ST4\*18 screws and fix the hood body to the cupboard.
6. Replace the front panel with the two screws and replace the filter.
7. Install the v-flaps and converter to the outlet and fix the expansion pipe to the outlet with cable tie.

Note: The expansion pipe is not included in the product.

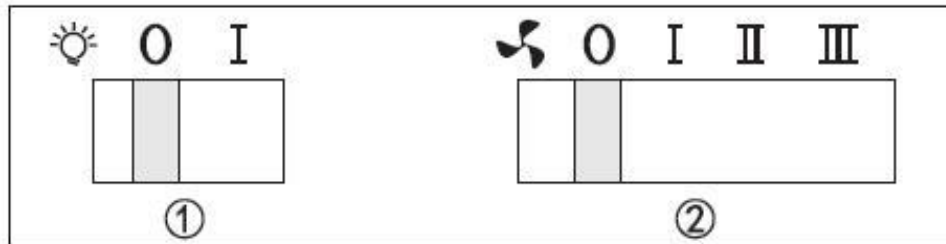


Pic 3



Pic 4

## OPERATION



1. **LIGHT:** Use the switch to turn the light ON/OFF
2. **FAN SPEED:** Use the switch to adjust the fan speed with 1 being the lowest, 3 being the highest and 0 being off.

## CLEANING MAINTENANCE

Before cleaning, switch the unit off and disconnect the power.

Use a soft cloth moistened with hand-warm mildly soapy water or household cleaning detergent. Never use metal pads, chemicals, abrasive material or a stiff brush to clean the unit.

**NOTE:** Do not use a steam-cleaner to clean the hood; electrical components could be damaged or short-circuit as a result.

## MONTHLY CLEANING FOR METALLIC ANTI-GREASE FILTER

**ESSENTIAL NOTE:** Clean the filter every month; an excessive build-up of grease can become a fire hazard. The filter collects grease, smoke and dust, so the filter directly affects the efficiency of the cooker hood. If it's not cleaned, the grease residue (potentially flammable) will saturate on the filter.

Clean it with a soft nylon brush in a mild solution of warm water and a small amount of washing up liquid. Washing up liquid alone should not be used. After cleaning, allow the filter to drain and then dry thoroughly.

The grease filter may also be dishwasher cleaned; using a 60°C program, with the filter upright (short sides upright) in the lower basket. Please be aware some dishwasher cleaning agents can permanently discolour the filter, though this will not affect its performance.

Replacement grease filters are of the universal type available from many household and DIY stores.

## STAINLESS STEEL

The stainless steel must be cleaned regularly (e.g. Weekly) to ensure long life expectancy.

Dry with a clean soft cloth. A specialized stainless-steel cleaning fluid may be used. Ensure that wiping is done along with the grain of the stainless steel to prevent any unsightly crisscross scratching patterns from appearing.

## CONTROL PANEL SURFACE

The inlay control panel can be cleaned using warm soapy water. Ensure the cloth is clean and well wrung before cleaning. Use a dry soft cloth to remove any excess moisture left after cleaning.

Using neutral detergents and avoid using harsh cleaning chemicals, strong household detergents or products containing abrasives, as this will affect the appliance appearance and potentially remove any printing of artwork on the control panel and will void manufactures warrantee.

## GREASE MESH FILTERS

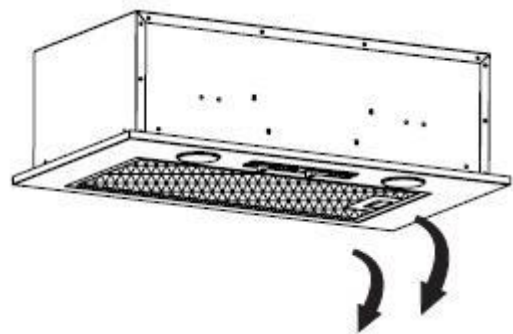
The mesh filters can be cleaned by hand. Soak them for about 3 minutes in water with a mild detergent then brush it gently with a soft brush. Please do not apply too much pressure, avoid to damage it . (Leave to dry naturally out of direct sun light)

Filters should be washed separately to crockery and kitchen utensils. it is advisable not to use rinse aid.

## INSTALLING GREASE MESH FILTERS

To install filters for the following four steps.

1. Angle the filter into slots at the back of the hood.
2. Push the button on handle of the filter.
3. Release the handle once the filter fits into a resting position.
4. Repeat to install all filters.



## CARBON FILTER-not supplied

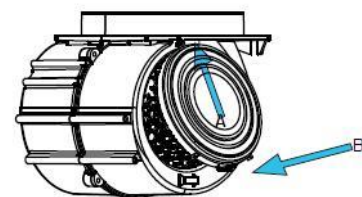
Activated carbon filter can be used to trap odours. Normally the activated carbon filter should be changed at three or six months according to your cooking habit. The installation procedure of activated carbon filter is as below.

1. Put the pin of the carbon filter into the rectangular hole of the fan (as per the arrow A shown below)
2. Push the other side of the carbon filter toward the fan to make it flat (as per the arrow B shown),and then press filter into fan.
3. If you want to remove the filter, press fastener of filter and remove it by turning anticlockwise.



## NOTE:

- Make sure the filter is securely locked. Otherwise, it would loosen and cause dangerous.
- When activated carbon filter attached, the suction power will be lowered.



Replacement carbon filters can be sourced from the supplier using the code: eiqcf150



## BULB REPLACEMENT

The bulb must be replaced by the manufacturer, its service agent or similarly qualified persons.

Always switch off the electricity supply before carrying out any operations on the appliance. When handling bulb, make sure it is completely cool down before any direct contact to hands.

When handling globes hold with a cloth or gloves to ensure perspiration does not come in contact with the globe as this can reduce the life of the globe.

Before changing the lights, make sure that the appliance is plugged off.

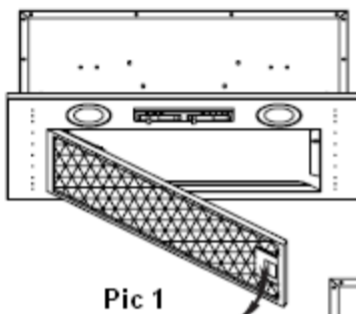
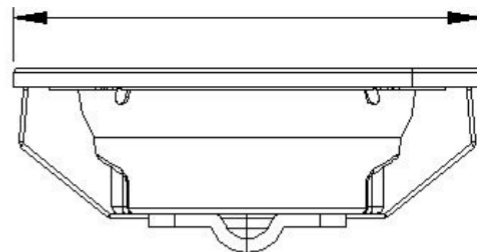
- Protect against danger when changing lights, such as wearing gloves.

## CHANGING THE LIGHTS

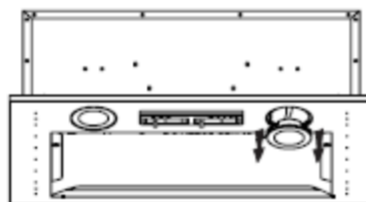
1. Remove the grease filter.
2. Put one hand into the cavity to gently push out the LED light, and use the other hand to grab the light and pull it out, and then pull out the light cable.
3. After changing the lamp, plug in the lamp cable, and put the lamp into the lamp hole.

ILCOS D code for this lamp is: DBR-2/65-H-64

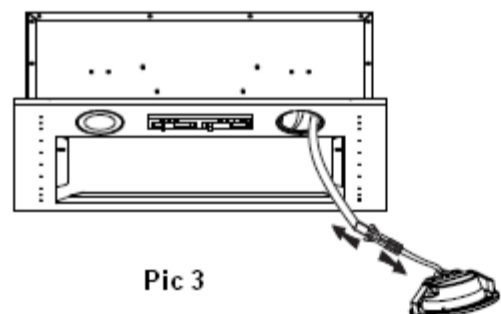
- LED modules– round lamp
- Max wattage: 2×2 W
- Voltage range: AC 110-240V



Pic 1



Pic 2



Pic 3

## TROUBLESHOOTING

FAULT	CAUSE	SOLUTION
Light on, but fan does not work	The fan blade is jammed.	Switch off the unit. Repair to be carried out by qualified service personnel only.
	The motor is damaged.	
Both light and fan do not work	Light bulb blown	Replace the bulb with correct rating.
	Power cord loose	Plug in to the power supply again.
Excessive Vibration	The fan blade is damaged.	Switch off the unit. Repair to be carried out by qualified service personnel only.
	The fan motor is not fixed tightly.	Switch off the unit. Repair to be carried out by qualified service personnel only.
Suction performance not good	1 Grease filters clogged 2 Distance between the unit and the cooking plane too great.	1 Clean or replace grease filters. 2. Readjust the distance to between 65cm and 75cm.

### INFORMATION FOR DISMANTLING

Do not dismantle the appliance in a way which is not shown in the user manual. The appliance could not be dismantled by user. At the end of life, the appliance should not be disposed of with household waste. Check with you Local Authority or retainer for recycling advice.

### electriQ UK SUPPORT

[www.electriQ.co.uk/support](http://www.electriQ.co.uk/support)

[www.electriQ.co.uk](http://www.electriQ.co.uk)

Call: 0330 390 3061

Office hours: 9AM - 5PM Monday to Friday

Unit J6, Lowfields Business Park

Lowfields Way, Elland

West Yorkshire, HX5 9DA



Recycling facilities are now available for all customers at which you can deposit your old electrical products. Customers will be able to take any old electrical equipment to participating sites run by their local councils. Please remember that this equipment will be further handled during the recycling process, so please be considerate when depositing your equipment. Please contact the local council for details of your local household waste recycling centres.

## PRODUCT FICHE

	Symbol	Value	Unit
Model identification		eiQ70CANOPY	
Annual Energy Consumption	$AEC_{hood}$	49.0	kWh/a
Time increase factor	f	1.5	
Fluid Dynamic Efficiency	$FDE_{hood}$	15.1	
Fluid Dynamic Efficiency class		Class D	
Energy Efficiency Index	$EEl_{hood}$	76.8	
Energy Efficiency class		Class C	
Maximum airflow	$Q_{max}$	381.3	m <sup>3</sup> /h
Measured airflow rate at the best efficiency	$Q_{BEP}$	227.7	m <sup>3</sup> /h
Measured air pressure at best efficiency point	$P_{BEP}$	201	Pa
Measured electric power input at best efficiency point	$W_{BEP}$	84.2	W
Nominal power of the lighting system	$W_L$	4.0	W
Average illumination of the lighting system on the cooking surface	$E_{middle}$	165	lux
Measured power consumption on off mode	$P_o$	0.00	W
Measured power consumption on standby mode	$P_s$	-	W
Sound power level	$L_{WA}$	Highest setting: 69 Lowest setting: 58	dB

	Symbol	Value	Unit
Model identification		eiQ52CANOPY	
Annual Energy Consumption	$AEC_{hood}$	52.7	kWh/a
Time increase factor	f	1.6	
Fluid Dynamic Efficiency	$FDE_{hood}$	11.2	
Fluid Dynamic Efficiency class		Class E	
Energy Efficiency Index	$EEl_{hood}$	81.8	
Energy Efficiency class		Class C	
Maximum airflow	$Q_{max}$	364.7	$m^3/h$
Measured airflow rate at the best efficiency	$Q_{BEP}$	180.5	$m^3/h$
Measured air pressure at best efficiency point	$P_{BEP}$	190	Pa
Measured electric power input at best efficiency point	$W_{BEP}$	85.2	W
Nominal power of the lighting system	$W_L$	4.0	W
Average illumination of the lighting system on the cooking surface	$E_{middle}$	177	lux
Measured power consumption on off mode	$P_o$	0.00	W
Measured power consumption on standby mode	$P_s$	-	W
Sound power level	$L_{WA}$	Highest setting: 68 Lowest setting: 56	dB