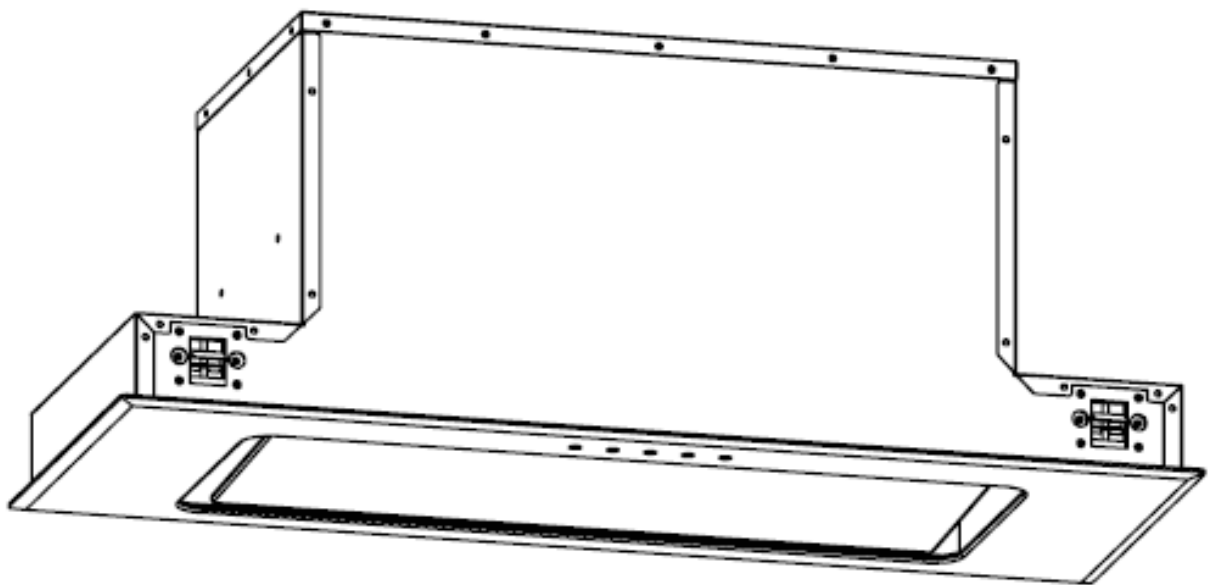


electriQ

USER MANUAL



COOKER HOOD EIQ90CANGW EIQ90CANGBL

Thank you for choosing electriQ
Please read this user manual before using this
product and keep it safe for future reference.
Visit our page www.electriQ.co.uk for our entire product range

CONTENTS

SAFETY	3
INSTALLATION	5
OPERATION	6
TROUBLESHOOTING	7
CLEANING AND MAINTENANCE	7
FILTER INFORMATION	8
BULB REPLACEMENT	9
TECHNICAL SPECIFICATIONS	9
SUPPORT	10
PRODUCT FICHE	11

SAFETY PRECAUTIONS

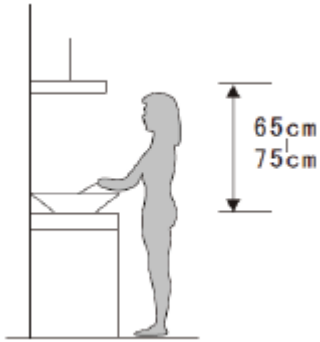
Whilst this product is compliant with all safety requirements, incorrect or inappropriate use can lead to both personal injury and potential damage to property. Please read the contents of this instruction booklet thoroughly before fitting or using this appliance.

- The cooker hood must be installed in accordance with the installation instructions and all measurements followed.
- All installation work must be carried out by a competent person or qualified electrician.
- The unit must be connected to an earthed power supply.
- If venting externally, make sure the ducting has no bends sharper than 90 degrees as this will reduce the efficiency of the cooker hood.
- The cooker hood is for domestic use only and is not designed for commercial use. It should only be used for the purpose it was intended – to extract vapours and cooking odours.
- Do not flambé or use an open flame under the cooker hood.
- Do not try to use the cooker hood without the grease filters or if the filters are excessively greasy. They should be cleaned regularly (see “Maintenance”) or replaced as necessary.
- The extraction fan must be level to avoid grease collection at one end, as this could cause a potential fire risk.
- Do not leave frying pans unattended during use because overheated fat or oils might catch fire.
- If the cooker hood is damaged, do not attempt to use it.
- If the supply cord is damaged, it must be replaced by the manufacturer, its service agent or a similarly qualified person in order to avoid a hazard.
- This appliance can be used by children aged from 8 years and above and persons with reduced physical, sensory or mental capabilities or lack of experience and knowledge if they have been given supervision or instruction concerning use of the appliance in a safe way and understand the hazards involved.
- Children shall not play with the appliance. Cleaning and user maintenance shall not be made by children without supervision.
- Children should be supervised to ensure that they do not play with the appliance. It is not a toy.
- The plug must be accessible after installation for isolation in case of an emergency – or an appropriate fused switch if the unit is hard-wired to the mains via a spur.
- The minimum distance between the surface of the hob and the lowest part of the hood should be at least 65cm. A distance of between 65cm and 75cm gives peak efficiency.

- The air must not be discharged into a flue that is used for exhausting fumes from appliances burning gas or other fuels.
- When the hood is vented externally and used with appliances which burn fuel (e.g. gas, oil, wood) the area must be sufficiently ventilated to ensure safe operation. Fresh air must be allowed to freely enter the room to prevent a partial vacuum.
- A partial vacuum can starve the heating appliance of oxygen, impairing combustion. It can also prevent toxic fumes from leaving the room, or can cause fumes to be sucked into the room from outside.
- Safe operation is only possible when the partial vacuum within the working area does not exceed 4 Pa (0.04 mbar). This can be achieved by ensuring air is able to enter the room from outside through a suitable sized opening which cannot be sealed during operation. A number of alternative solutions are available to ensure this. If in any doubt, professional advice should be sought.
- Regulations concerning the discharge of air have to be fulfilled.
- There is a potential fire risk if cleaning is not carried out in accordance with the instructions.
- Clean your appliance periodically by following the method given in the chapter MAINTENANCE
- If used in recirculation mode, the charcoal filters trap odours and must be replaced at least once a year depending on how frequently the cooker hood has been used.
- For safety reasons, please use only the same size of fixing or mounting screw, which are recommended in this instruction manual.
- Warning: Failure to install the screws or fixing device in accordance with these instructions may result in electrical hazards

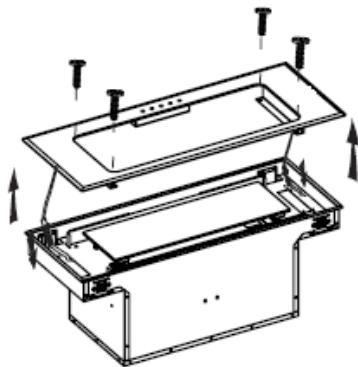
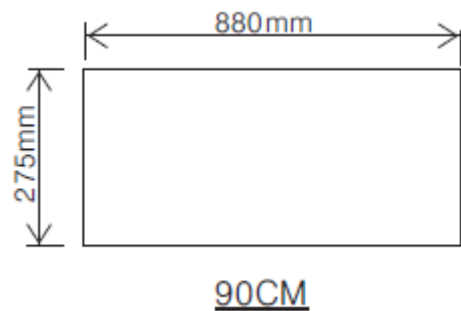
CAUTION: Accessible parts of the hood can become very hot during use with cooking appliances, whether in use or not, due to heat rising from the hob. Sufficient time should be allowed for the unit to cool before touching either the housing or the grease filters

INSTALLATION (VENT OUTSIDE)



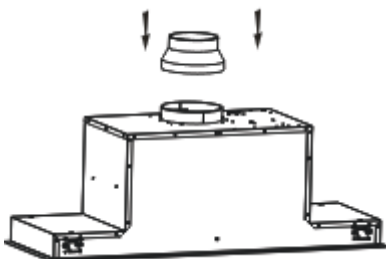
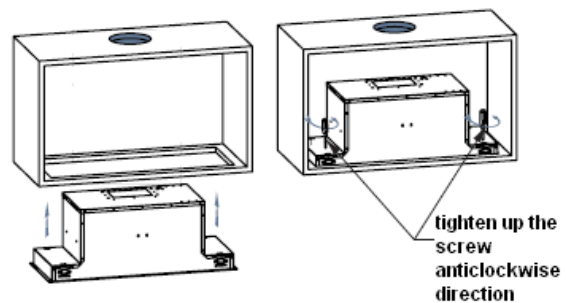
1. The cooker hood should be placed at a distance of 65-75cm from the cooking surface.

2. Drill a hole in the cabinet, with a width 880*275(mm) for model 90CM. Make sure the gap between the hole and the cupboard edge is at least 35mm.



3. Unscrew the 4 screws on the outer glass frame using a screwdriver, pull out the light wire, take down the outer glass frame panel.

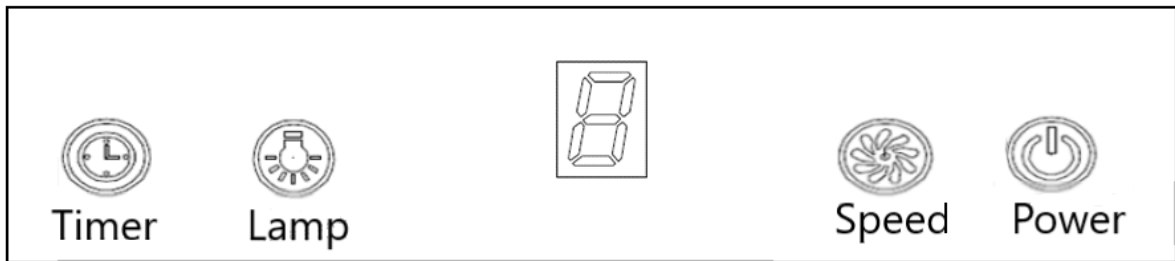
4. Put the hood into the cabinet, tighten up the screws and ensure the hood is fixed securely into place.



5. Connect the light wire and assemble the outer glass frame panel.

6. Install the converter on the outlet.

START USING YOUR COOKER HOOD



1. Press the “Power” button, to turn the cooker hood on and off.
2. Press the “Speed” button to cycle between fan speeds, the LED display will indicate the fan speed with the numbers 1, 2 and 3.
3. Press “Light” button to turn the hoods light on and off.
4. When the hood is on, press the “Timer” button and the LED will begin to display a countdown of 9 minutes. When the countdown is complete, the cooker hood will turn off.

TROUBLESHOOTING

Fault	Cause	Solution
Light on, but fan does not work	The fan blade is jammed.	Switch off the unit. Repair to be carried out by qualified service personnel only.
	The motor is damaged.	
Both light and fan do not work	Halogen light bulb blown	Replace the bulb with correct rating.
	Power cord loose	Plug in to the power supply again.
Excessive Vibration	The fan blade is damaged.	Switch off the unit. Repair to be carried out by qualified service personnel only.
	The fan motor is not fixed tightly.	Switch off the unit. Repair to be carried out by qualified service personnel only.
	The unit is not hung properly on the bracket.	Take down the unit and check whether the bracket is in proper location.
Suction performance not good	Grease filters clogged? Distance between the unit and the cooking plane too great.	Clean or replace grease filters. Adjust the distance to between 70cm and 80cm.

MAINTENANCE

Before cleaning, switch the unit off and pull out the plug, or switch off at the relevant mains switch if the unit has been hard-wired in. Make sure the unit has no power being fed to it.

REGULAR CLEANING

Use a soft cloth moistened with warm mildly soapy water or household cleaning detergent. Never use metal pads, chemicals, abrasive material or a stiff brush to clean the unit.

STAINLESS STEEL

The stainless steel must be cleaned regularly (e.g. weekly) to ensure long life expectancy. Dry with a clean soft cloth. A specialized stainless steel cleaning fluid may be used.

NOTE

Ensure that wiping is done along with the grain of the stainless steel to prevent any unsightly crisscross scratching patterns from appearing.

CONTROL PANEL SURFACE

The inlay control panel can be cleaned using warm soapy water. Ensure the cloth is clean and well wrung before cleaning. Use a dry soft cloth to remove any excess moisture left after cleaning.

IMPORTANT

Using neutral detergents and avoid using harsh cleaning chemicals, strong household detergents or products containing abrasives, as this will affect the appliance appearance and potentially remove any printing of artwork on the control panel and will void manufacturer's warranty.

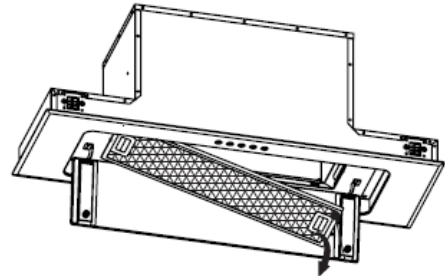
GREASE MESH FILTERS

The mesh filters can be cleaned by hand. Soak them for about 3 minute in water with a grease-loosening detergent then brush it gently with a soft brush. Please do not apply too much pressure, avoid to damage it . (Leave to dry naturally out of direct sun light) Filters should be washed separately to crockery and kitchen utensils. it is advisable not to use rinse aid.

INSTALLING GREASE MESH FILTERS

To install filters for the following four steps .

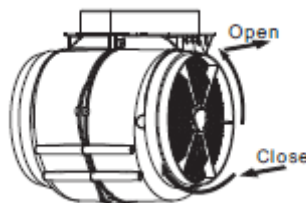
- Angle the filter into slots at the back of the hood.
- Push the button on handle of the filter.
- Release the handle once the filter fits into a resting position.
- Repeat to install all filters.



CARBON FILTER-not supplied

Activated carbon filter can be used to trap odors. Normally the activated carbon filter should be changed at three or six months according to your cooking habit. The installation procedure of activated carbon filter is as below.

1. Before installing or replacing the carbon filters, remove power to the unit.
2. Press the filter lock and remove the mesh filter.
3. Turn the carbon filter on both side of the motor anti-clockwise. Replace the carbon filters with the new carbon filters.
4. Replace the mesh filter.



- Make sure the filter is securely locked. Otherwise, it could loosen.
- When an activated carbon filter is attached, the suction power will be lowered.

FILTER REPLACEMENT

Carbon Filter: EIQCF110

Grease Filter: EIQCANGF

BULB REPLACEMENT

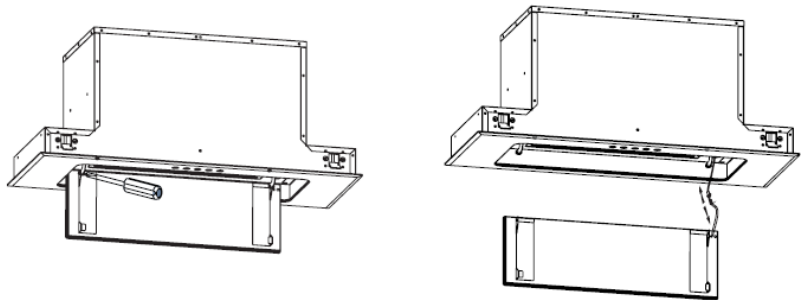
- The bulb must be replaced by the manufacturer, its service agent or similarly qualified persons.
- Always switch off the electricity supply before carrying out any operations on the appliance. When handling bulb, make sure it is completely cool down before any direct contact to hands.
- When handling globes hold with a cloth or gloves to ensure perspiration does not come in contact with the globe as this can reduce the life of the globe.
- Before changing the lights, make sure that the appliance is plugged off.
- Protect against danger when changing lights, such as wearing gloves.

LED LIGHTS:

1. Switch off the appliance and unplug it.
2. Slide the front part of the cooker hood.
3. The al filter should be detached first. Press the lock and pull it downward.
4. Use screwdriver to unscrew the 2 pcs screws and dismantle the terminal of the light connecting wire. Then take out off the lamp plate and replace it.

ILCOS D code for this lamp is: DSS-25/65-S-650/160

- Max wattage: 25 W
- Voltage range: DV12V
- Dimensions:650×160 mm



TECHNICAL SPECIFICATIONS

MODEL	EIQ90CANGW EIQ90CANGBL
MOTOR POWER	1*190W
WIDTH	900mm
MOTOR AIR FLOW	630m3/h

INFORMATION FOR DISMANTLING

Do not dismantle the appliance in any way which is not shown in the user manual. The appliance must not be dismantled by an unqualified person. At the end of its life, the appliance should not be disposed of with general household waste. Check with your Local Authority or retainer for recycling advice.

electriQ UK SUPPORT

www.electriQ.co.uk/support

Call: 0330 390 3061

Office hours: 9AM - 5PM Monday to Friday

www.electriQ.co.uk

Unit J6, Lowfields Business Park
Lowfields Way, Elland
West Yorkshire, HX5 9DA



Recycling facilities are now available for all customers at which you can deposit your old electrical products. Customers will be able to take any old electrical equipment to participating sites run by their local councils. Please remember that this equipment will be further handled during the recycling process, so please be considerate when depositing your equipment. Please contact the local council for details of your local household waste recycling centers.

PRODUCT FICHE

	Symbol	Value	Unit
Model identification		eiQ90CANGW eiQ90CANGBL	
Annual Energy Consumption	AEC_{hood}	75.3	kWh/a
Time increase factor	f	1.2	
Fluid Dynamic Efficiency	FDE_{hood}	23.5	
Fluid Dynamic Efficiency class		Class B	
Energy Efficiency Index	EEl_{hood}	74.8	
Energy Efficiency class		Class C	
Maximum airflow	Q_{max}	564.5	m ³ /h
Measured airflow rate at the best efficiency	Q_{BEP}	310.1	m ³ /h
Measured air pressure at best efficiency point	P_{BEP}	355	Pa
Measured electric power input at best efficiency point	W_{BEP}	130.3	W
Nominal power of the lighting system	W_L	25.0	W
Average illumination of the lighting system on the cooking surface	E_{middle}	392	lux
Measured power consumption on off mode	P_o	0.33	W
Measured power consumption on standby mode	P_s	-	W
Sound power level	L_{WA}	Highest setting: 70 Lowest setting: 60	dB