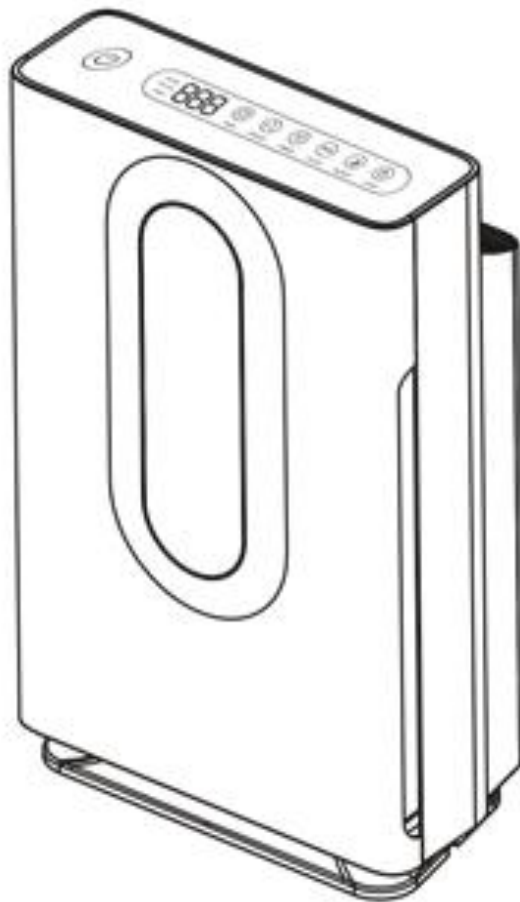


electriQ

USER MANUAL



EAP500HC

**Thank you for choosing electriQ
Please read this user manual before using this innovative
Air Purifier and keep it safe for future reference.**

Visit our page www.electriQ.co.uk for our entire range of Intelligent Electricals

CONTENTS

SAFETY INSTRUCTIONS	3
AIR PURIFIER DIAGRAM	4
ABOUT YOUR AIR PURIFIER	5
INFORMATION ON INDOOR POLLUTANTS	6
OPERATION INSTRUCTIONS	7
BEFORE FIRST USE	7
HOW TO USE	8
EXTRA FEATURES	9
CARE AND MAINTENANCE	9
CHANGING THE FILTER	9
CLEANING THE AIR QUALITY SENSOR	9
CLEANING THE CASE	10
CLEANING THE FILTERS AND FILTER HOLDING AREA	10
CLEANING THE FILTER COVER AND CLEAN AIR OUTLET	10
TECHNICAL SPECIFICATION	10
TROUBLESHOOTING	11
SUPPORT	11

SAFETY INSTRUCTIONS

Important!

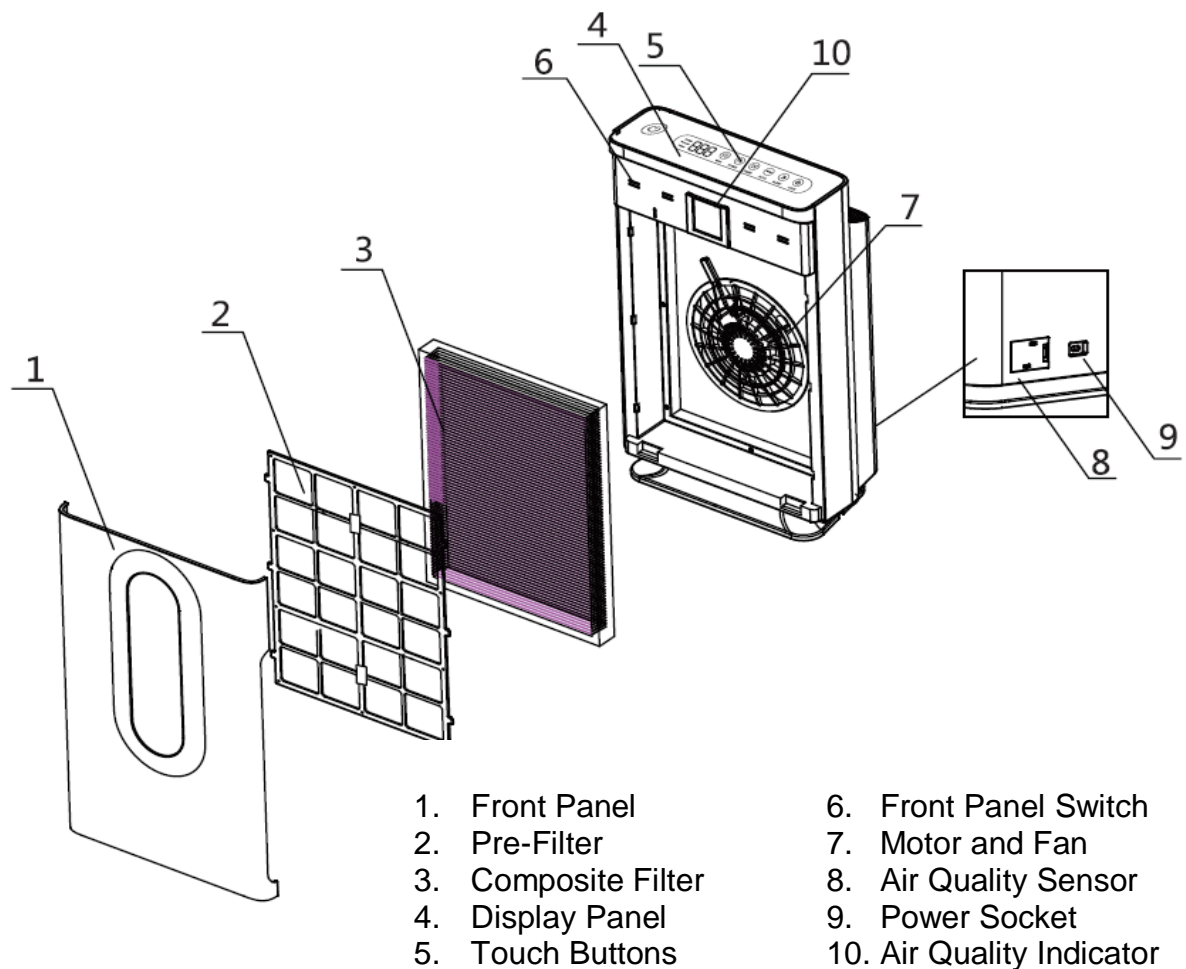
- Carefully read the instructions before operating the unit.
- This appliance is for indoor use only.
- This unit must only be connected to a 220-240V / 50Hz earthed outlet.
- Installation must be in accordance with regulations of the country where the unit is used.
- If you are in any doubt about the suitability of your electrical supply, have it checked and, if necessary, modified by a qualified electrician.
- This air purifier has been tested and is safe to use. However, as with any electrical appliance – use it with care.
- Disconnect the air purifier from the socket when changing the filters or cleaning the unit.
- Avoid touching any moving parts within the appliance.
- Never insert fingers, pencils or any other objects through the guard.
- This device is not intended for use by persons (including children) with reduced physical, sensory or mental capabilities. It is also not intended for use by those with a lack of experience and knowledge, unless they have been given supervision or instruction concerning the use of the appliance by a person responsible for their safety.
- Do not leave children unsupervised with this device.
- Do not clean the unit by spraying it or immersing it in water. Use a damp cloth only. Never allow water or vapours to enter the unit.
- Do not clean with strong chemical agents or other abrasive materials.
- Never connect the unit to an electrical outlet using an extension cord. If a power outlet is not available, one should be installed by a qualified electrician.
- Never operate this appliance if the cord or power supply are damaged. Ensure the power cord is not stretched or exposed to sharp objects/edges.
- A damaged power supply should be replaced by the manufacturer. Never extend or attempt to change the power supply lead.
- Any service other than regular cleaning or filter replacement should be performed by an authorised service representative. Failure to comply could result in a voided warranty.
- Do not use the appliance for any purpose other than its intended use.
- Avoid removing the power cord from the socket whilst the unit is still in operation. This could cause electrical damage.
- Never use the power supply as a switch to start and turn off the air purifier. Use the provided ON/OFF button located on the control panel.
- Always place the unit on a dry and stable surface.

- The use of accessory attachments that have not been approved by the appliance manufacturer is not recommended, as this may result in fire, cause an electric shock and/or cause personal injury.
- Ensure hands are fully dried before plugging or unplugging the appliance.
- The appliance should not be installed in laundry or wet rooms.

Energy Saving and Unit Safety Protection Tips

- Do not cover or restrict the airflow from the outlet or inlet grills.
- For maximum performance and safety the minimum distance from a wall or objects should be 20cm. Keep away from other electrical appliances.
- Keep the filters clean. Under normal conditions, filters should only need cleaning once every two weeks (approximately). Since the filters remove airborne particles, more frequent cleaning may be necessary, depending on the air quality.

AIR PURIFIER DIAGRAM



ABOUT YOUR AIR PURIFIER

The **EAP500HC** provides multiple stages of air purification using professional air filtration and intelligent sterilisation technologies. This unit features an advanced all in one photocatalytic HEPA and activated carbon filter for improved air filtration.

- Primary filter, made of non-woven materials, are used for removing large particles like hair and dust.
- Elementary filter removes large particles like dust and hair.
- Antibacterial HEPA filter to remove 99.9% of airborne particles of 0.25 micrometres or larger.
- Activated carbon filter removes unpleasant odours and absorbs harmful substances such as formaldehydes and benzenes.
- Molecular sieve absorption layer removes smaller particles
- Photocatalytic filter further decomposes pollutants.
- Plasma Ioniser sterilises the air further and removes mould spores and allergens from the air

The EAP500HC also features an air quality LED indicator that will provide a visual indication of the current air quality.

Applications:

- Personal use in domestic and office space to improve air quality
- Helps smokers to reduce contaminants within the air
- Can help improve the symptoms of asthma and pollen allergies.
- Great for children's rooms and small offices

NOTE: This air purifier is not a substitute for proper ventilation, regular vacuum cleaning or for use in place of a cooker hood whilst cooking. If the relative humidity is above 60% we recommend using a dehumidifier to reduce the humidity.

INFORMATION ON INDOOR POLLUTANTS

VOC (Volatile Organic Compound): VOCs come from motor vehicle exhausts, gasoline vapour, pollutants such as formaldehyde, ammonia and many other common and chemical solvents such as paints and glues, or can be a by-product of mould growth. VOCs cause irritation to the eyes and or nose as well as causing headaches, nausea and even potential damage to the central nervous system. Pressed wood furniture, newly decorated rooms, paint and cleaning solvents are common sources of VOCs.

Mould / Fungus: These can affect our respiratory system and cause allergic reactions, like a runny nose, eye and throat irritation, headaches, fatigue and aggravation of asthma.

Other indoor pollutants include bacteria, viruses, dust mites and pollen.

Emissions from electronic office equipment: Many studies, including those from EPA and the University of California Berkley, have reported that emissions from office equipment such as computers and printers, include VOCs, ultra-fine particles and ozone. These emissions have been proven to have a negative effect on the health of many people which can be reduced by using an air purifier.

Using HEPA filters, Activated Carbon filters and Plasma Ionisation: An effective HEPA filter is absolutely necessary to remove particles, even at a microscopic level; it ensures that the particles are not spread. Plasma Ionisers will sterilise the air and reduce bacterial growth.

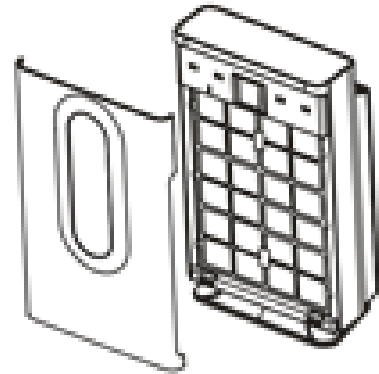
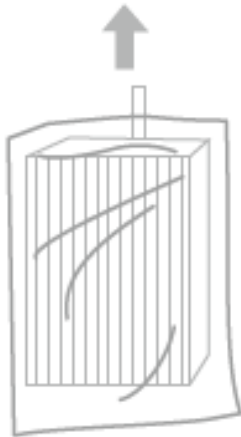
The antibacterial activated carbon on the EAP500HC is a natural material biosynthesized from walnut shell, the absorption area of activated carbon is very large at up to 300,000 square meters. The activated carbon filter will absorb unpleasant odours and reduce the VOC content in the air.

The Plasma Ioniser will sterilise the air and reduce bacterial growth.

OPERATION INSTRUCTIONS

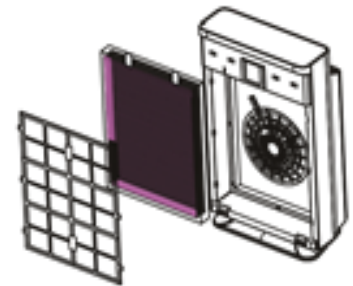
BEFORE FIRST USE:

- 1) Unpack the appliance and remove the filter cover from the front of the unit

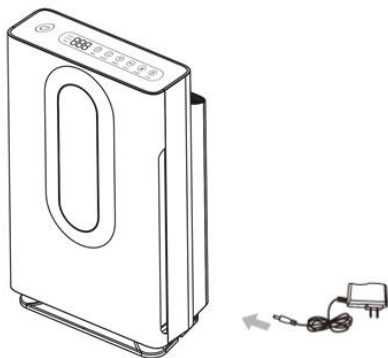


- 2) Remove the filter from the plastic protective packaging

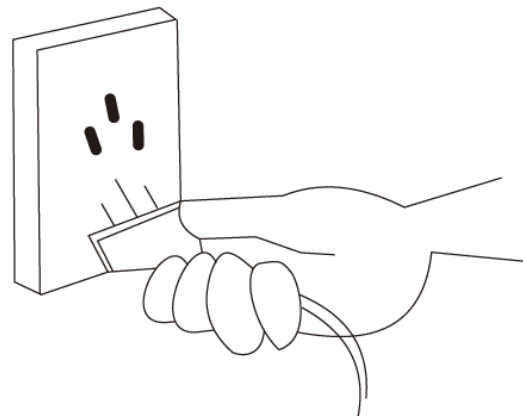
- 3) Load the composite filter into the front of the unit and replace the cover.



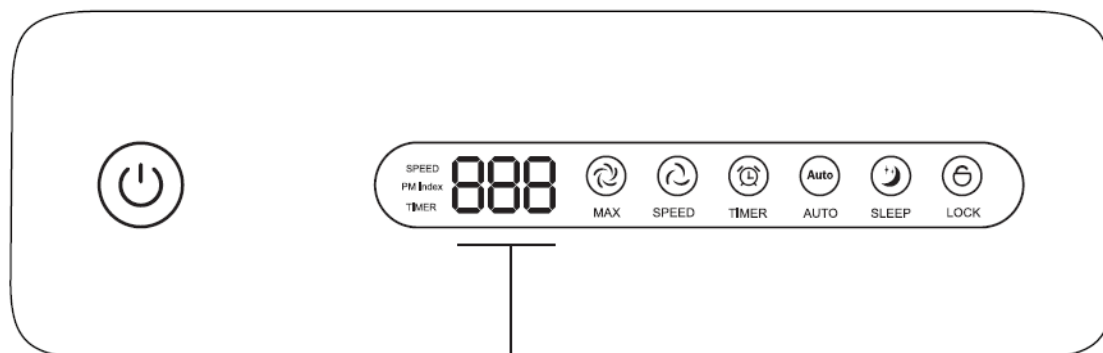
- 4) Remove the power adapter and connect it to the DC socket on the base of the unit.



- 5) Connect the plug to an earthed socket




HOW TO USE:



DISPLAY

Shows Air Quality (PM index)
Speed / Timer when appropriate button pressed

 POWER	Press to turn the appliance on and off.
TIMER	With the unit turned on, repeatedly press the timer button to select in how many hours it should turn off. The duration can be set between 1 and 12 hours in 1 hour increments. To turn off the timer, repeatedly press the timer button until 0 is shown.
SPEED	Press to change between the four fan speeds. The speed will be displayed on the screen.
MAX	Boost the fan speed to maximum for 60 minutes.
AUTO	Press to activate auto mode, the fan speed will be automatically adjusted based on the air quality.
SLEEP	Press to enter sleep mode. The fan will be changed to its lowest setting and the lights on the unit will turn off.
LOCK	Press and hold for 5 seconds to lock the control panel. All buttons apart from the lock button will be disabled. To unlock press and hold again for 5 seconds.

AIR QUALITY: The unit utilises a PM2.5 sensor to measure the air quality. When turning on the unit will take around 90 seconds before showing the air quality on the screen. The front indicator will also show the air quality

INDICATOR COLOUR	AIR QUALITY	PM INDEX
Green	Excellent	0-50 $\mu\text{g}/\text{m}^3$
Blue	Good	51-100 $\mu\text{g}/\text{m}^3$
Yellow	Medium	101-150 $\mu\text{g}/\text{m}^3$
Red	Bad	151+ $\mu\text{g}/\text{m}^3$

EXTRA FEATURES:

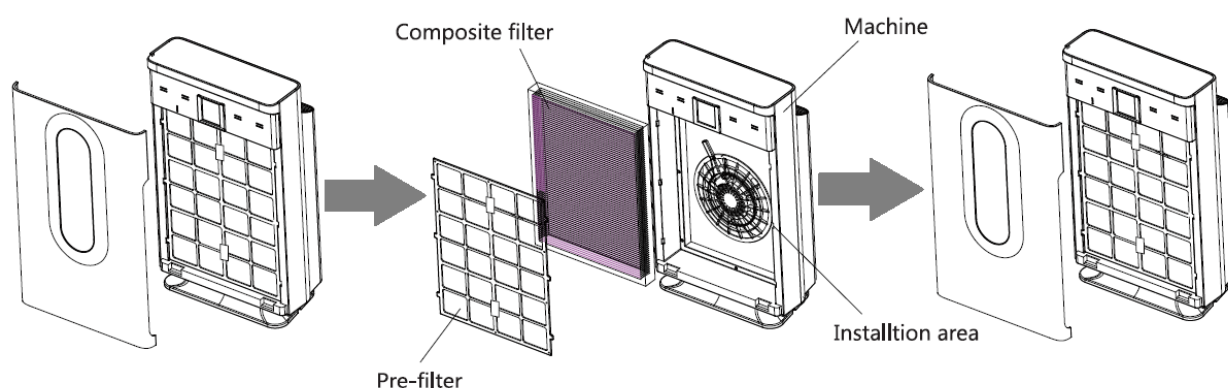
TURN OFF THE FRONT COLOUR INDICATOR	Press and hold the Power and Speed buttons for 5 seconds to turn the colour indicator on and off.
IONISER	Press and hold the Power and Auto buttons for 5 seconds to turn the ioniser on and off.
RESET THE FILTER CHANGE COUNTER	After changing the filter, Press and hold the Auto and Timer buttons for 5 seconds to reset the filter change timer.

CARE AND MAINTENANCE

- Always shut off the unit and unplug from the mains before cleaning or performing any maintenance.
- When the unit is not in use for long periods, it is advisable to remove the plug from the power socket.
- Do not use chemical solvents (such as benzene, alcohol or gasoline) as they may cause irreversible damage to the unit.

CHANGING THE FILTER

Open the filter cover by pressing in the retaining tabs and pulling the front cover free. Remove the old filter by simply pulling on the tabs to release them. Replace the filter with a new/clean one before replacing the filter cover. Press and hold the AUTO + TIMER buttons for 3 seconds to reset the filter timer once it has been replaced.



CLEANING THE AIR QUALITY SENSOR

Remove the cover from the sensor, and wipe the sensor with a damp cotton bud. It should then be dried by wiping with a dry cotton bud before replacing the cover. For optimal performance the sensor should be cleaned every two months.

CLEANING THE CASE

- Only use tepid water and a mild detergent on a soft cloth.
- Do not use bleach or abrasives.
- Do not splash water directly onto the main unit.
- Avoid wetting the power connection port, doing so may cause an electric shock and can lead to the insulation deteriorating or unit to rust.

CLEANING THE FILTERS AND FILTER HOLDING AREA

- Hoover the filter gently every 2-3 weeks or more often if used in dusty environments.
- Ensure the filter is not damaged during the cleaning process and replace if it shows signs of damage.
- Wipe the filter holding area with a dry cloth if necessary.

CLEANING THE FILTER COVER AND CLEAN AIR OUTLET

- Use water and a mild detergent.
- Do not use bleach or abrasives.
- Do not spray water inside the unit.
- If the clean air outlet grilles get soiled easily, use a vacuum attachment or soft brush to clean.
- If the filter cover is dirty, Hoover it. If it is heavily soiled, wash it with warm soapy water and dry thoroughly before reinserting it in the unit.

NOTE: Do not assemble the unit and power it on before all the parts are completely dry. Any other maintenance than what is described in this user manual must be only performed by the service centre.

TECHNICAL SPECIFICATION

Input power	220-240~ 50/60Hz
Rated Power	80W
Weight	9.5Kg
Dimensions	420 x 240 x 690mm
Fan speeds	Low / Medium / High / Turbo
Noise	≤66dB
Ions	10 million / cm ³
Formaldehyde purification rate	160 m ³ /h

TROUBLESHOOTING

ISSUE	CHECK
Not working	Check that the power adapter is connected and is the correct rating. Ensure the front panel is correctly fitted and that the peg on the rear of the panel is undamaged.
Abnormal Smells	Check if the filter is clean. Replace the filter.
Pollutants not removed and loud noise when running	Check if the filter is clean. Replace the filter
Abnormally high Air Quality (PM2.5) reading for prolonged period.	Clean the sensor
Auto and Timer Buttons flashing and unit bleeping	Replace the filter and reset the appliance following the care and maintenance section.

electriQ UK SUPPORT

www.electriQ.co.uk/support

Please, for your own convenience, check the troubleshooting guide before calling the service line.

If the unit still fails to operate call: 0330 390 3061 or complete the online form
Office hours: 9AM - 5PM Monday to Friday

www.electriQ.co.uk

Unit J6, Lowfields Way
Elland, West Yorkshire
HX5 9DA

DISPOSAL

Disposal: Do not dispose this product as unsorted waste. Collection of such waste must be handled separately as special treatment is necessary.



Recycling facilities are now available for all customers at which you can deposit your old electrical products. Customers will be able to take any old electrical equipment to participating sites run by their local councils. Please remember that this equipment will be further handled during the recycling process, so please be considerate when depositing your equipment. Please contact the local council for details of your local household waste recycling centres.