

electriQ

USER MANUAL



COOKER HOOD

eiQSLIM100TOUCH

Thank you for choosing electriQ.
Please read this user manual before using this Cooker Hood and
keep it safe for future reference.
Visit our page www.electriQ.co.uk for our entire range of electricals

CONTENTS

Safety Precautions	2
Introduction	4
Unpacking your appliance	4
Product Overview – Parts Supplied	5
Options for Ventilation	6
Installation	7
Operation	9
Maintenance	
Cleaning your hood	10
Grease filters – cleaning/replacing	10
Carbon Filters (optional) – use and replacement	11
Bulb replacement	12
Troubleshooting	13
Manufacturer Support	13
Technical Specification	14

SAFETY PRECAUTIONS

Whilst this product is compliant with all safety requirements, incorrect or inappropriate use can lead to both personal injury and potential damage to property. Please read the contents of this instruction booklet thoroughly before fitting or using this appliance.

- The cooker hood must be installed in accordance with the installation instructions and all measurements followed.
- All installation work must be carried out by a competent person or qualified electrician.
- The unit must be connected to an earthed power supply.
- If venting externally, make sure the ducting has no bends sharper than 90 degrees as this will reduce the efficiency of the cooker hood.
- The cooker hood is for domestic use only and is not designed for commercial use. It should only be used for the purpose it was intended – to extract vapours and cooking odours.
- Do not flambé or use an open flame under the cooker hood.
- Do not try to use the cooker hood without the grease filters or if the filters are excessively greasy. They should be cleaned regularly (see “Maintenance”) or replaced as necessary.
- The extraction fan must be level to avoid grease collection at one end, as this could cause a potential fire risk.
- Do not leave frying pans unattended during use because overheated fat or oils might catch fire.
- If the cooker hood is damaged, do not attempt to use it.
- If the supply cord is damaged, it must be replaced by the manufacturer, its service agent or a similarly qualified person in order to avoid a hazard.
- This appliance can be used by children aged from 8 years and above and persons with reduced physical, sensory or mental capabilities or lack of experience and knowledge if they have been given supervision or instruction concerning use of the appliance in a safe way and understand the hazards involved.
- Children shall not play with the appliance. Cleaning and user maintenance shall not be made by children without supervision.
- Children should be supervised to ensure that they do not play with the appliance. It is not a toy.
- The plug must be accessible after installation for isolation in case of an emergency – or an appropriate fused switch if the unit is hard-wired to the mains via a spur.

- The minimum distance between the surface of the hob and the lowest part of the hood should be at least 65cm. A distance of between 65cm and 75cm gives peak efficiency.
- The air must not be discharged into a flue that is used for exhausting fumes from appliances burning gas or other fuels.
- When the hood is vented externally and used with appliances which burn fuel (e.g. gas, oil, wood) the area must be sufficiently ventilated to ensure safe operation. Fresh air must be allowed to freely enter the room to prevent a partial vacuum.
- A partial vacuum can starve the heating appliance of oxygen, impairing combustion. It can also prevent toxic fumes from leaving the room, or can cause fumes to be sucked into the room from outside.
- Safe operation is only possible when the partial vacuum within the working area does not exceed 4 Pa (0.04 mbar). This can be achieved by ensuring air is able to enter the room from outside through a suitable sized opening which cannot be sealed during operation. A number of alternative solutions are available to ensure this. If in any doubt, professional advice should be sought.
- Regulations concerning the discharge of air have to be fulfilled.
- There is a potential fire risk if cleaning is not carried out in accordance with the instructions.
- Clean your appliance periodically by following the method given in the chapter MAINTENANCE
- If used in recirculation mode, the charcoal filters trap odours and must be replaced at least once a year depending on how frequently the cooker hood has been used.
- For safety reasons, please use only the same size of fixing or mounting screw, which are recommended in this instruction manual.
- Warning: Failure to install the screws or fixing device in accordance with these instructions may result in electrical hazards

CAUTION: Accessible parts of the hood can become very hot during use with cooking appliances, whether in use or not, due to heat rising from the hob. Sufficient time should be allowed for the unit to cool before touching either the housing or the grease filters

INTRODUCTION

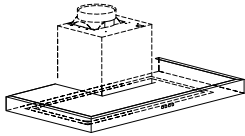
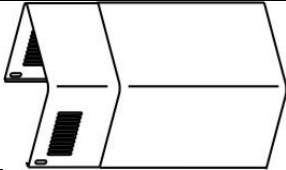
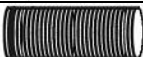



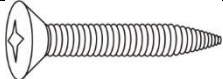
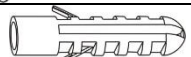

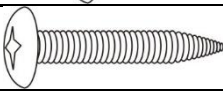
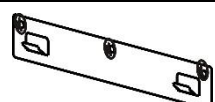
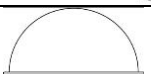
Thank you for choosing your electriQ cooker hood.

This instruction manual is designed to provide you with all the required instructions related to the installation, use and maintenance of the appliance. In order to operate the unit correctly and safely, please read this instruction manual carefully before installation and usage.

UNPACKING YOUR APPLIANCE

- Please take great care when unpacking; a sharp blade should not be used to open the box, as it may go deep enough inside to damage components. Components damaged or marked due to careless unpacking are not covered under the guarantee.
- Carefully unpack the contents and check against the next section (Product overview – parts supplied).
- Packaging materials should be recycled in accordance with local regulations.

PRODUCT OVERVIEW - PARTS SUPPLIED

Description	Illustration	Qty.
Cooker hood		1
Chimney Sections		2
Exhaust Pipe		1
Adaptor		1
Plate I		1
Plate II		1
Screw (4mm x 40mm)		7
Wall plug		9
Screw (4mm x 8mm)		4
Screw (4mm x 30mm)		2
Mounting Bracket		1
Air Flaps		2

OPTIONS FOR VENTILATION

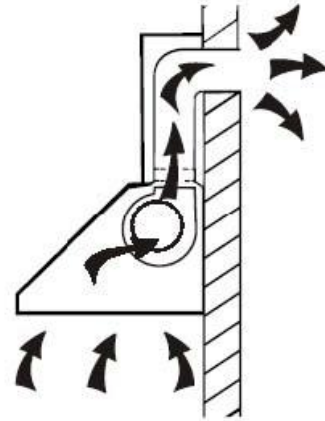
This hood can be set up for either external venting or recirculation of the air. The type of setup should be decided before commencing installation.

EXTERNAL VENTING

If you have an outlet to the outside, your cooker hood can be connected as shown in the diagram using the flexible exhaust pipe (supplied). Alternatively, any suitable extraction duct (enamel, aluminium, flexible pipe or inflammable material with an interior diameter of 150mm) can be used.

An adaptor is also supplied to enable you to connect your hood to pre-existing 120mm diameter ducting.

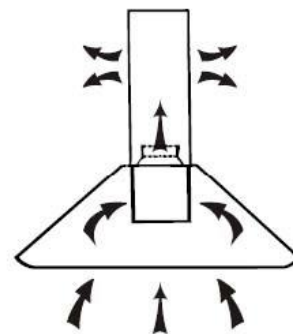
If this is the chosen installation method consideration to the route of the vent pipe should be made prior to installation.



RECIRCULATION

This Cooker hood also supports the recirculation of air once it has passed through the filters. The filtered air is then expelled through the vent holes in the side of the chimney.

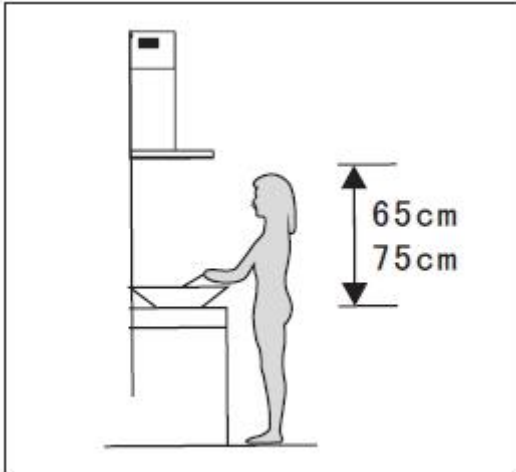
When setting the unit up in this configuration, carbon filters should also be used to remove odors from the air. Details of sourcing and fitting the filters can be found in the Carbon filter section.



When setting up for recirculation the installation instructions should be followed, but the vent pipe should not be attached, allowing the air to be expelled through the vents on the side of the chimney.

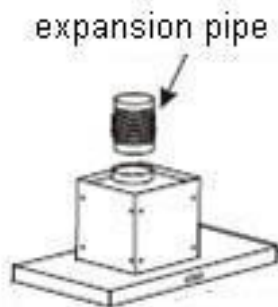
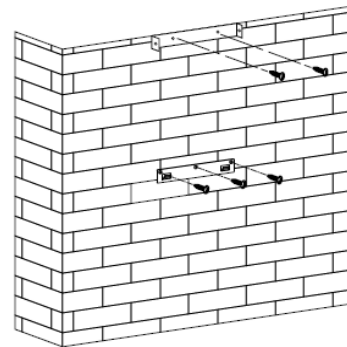
INSTALLATION

1. Before installation, ensure you have not connected the appliance to the mains supply.



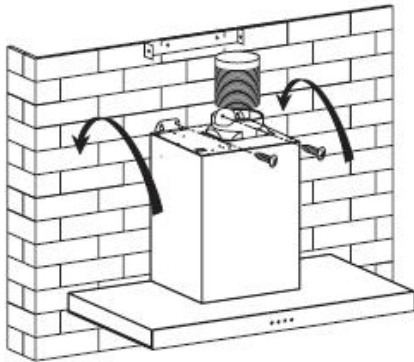
2. The cooker hood should be placed at a distance of 65~75cm above the cooking plane for best effect.

3. Use the supplied screws (4mm x 40mm) and wall plugs to attach the mounting bracket to the wall in the correct position to set the hood height, ensuring the bracket is kept level. Plate 2 can then be attached to the wall, ensuring it is directly above the mounting plate, using the same screws and wall plugs



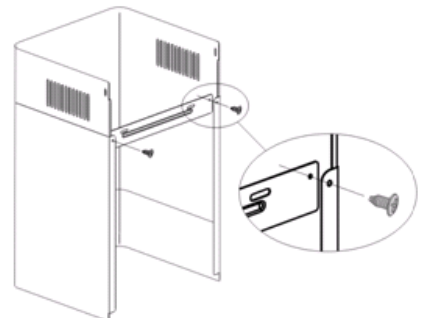
4. Install the expansion pipe on the cooker hood.

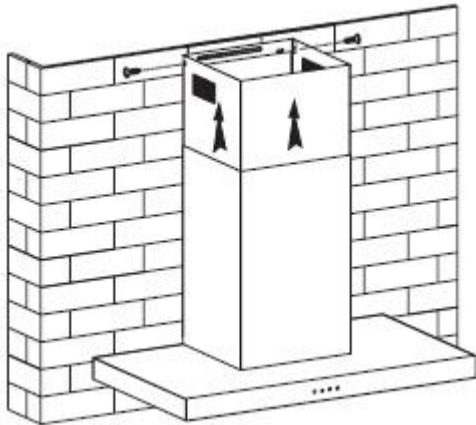
5. The 2 air flaps should now be installed, as access is easier before the unit is wall mounted. The 2 flaps should be carefully installed to the top of the hood unit, bending them slightly so the lugs at each end locate into the holes in the outlet vent. When the unit is in operation the flaps pivot upwards to allow airflow. Please note: the small spindles/lugs at each end of each flap locate into the holes on the housing, not the grooves above them. Once the flaps are installed the expansion pipe can be attached to the hood body.



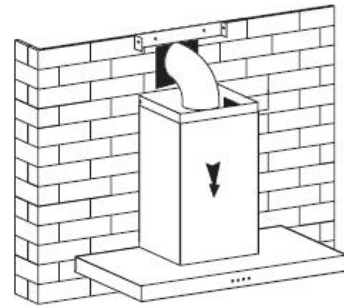
6. Hang the hood onto the mounting bracket, and then secure to the wall using the supplied 4mm x 30mm screws and wall plugs.

7. Install the Plate 1 on to the outer chimney section using 2 screws (4mm x 8mm), making sure the outer chimney is free to slide. Then place the chimney onto the top of the hood. If externally venting, the expansion pipe should be routed in its final position.





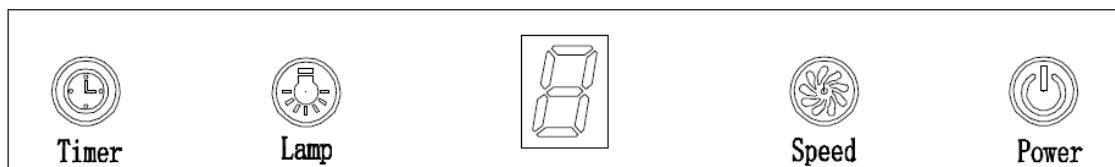
8. Slide the inner chimney upwards and connect it to Plate 2 using the two remaining 4mm x 8mm screws.







Before using the hood, read all the instructions and make sure that the voltage (V) and the frequency (Hz) indicated on the identification plate (found inside the cooker hood) and all the data inside the appliance are exactly the same as the voltage and frequency in your home. Then plug the power lead into the power socket (or if connecting directly to the main via a switched spur, ensure the work is carried out by a competent, qualified person) and the cooker hood is then ready for use.

OPERATION

Touch control with LED display



Button	Function
	Power Button – Allows the hood to be turned on and off
	Speed Button – Allows the fan speed to be changed. The current fan speed is displayed on the panel 1 – Low, 2 – Medium, 3 - High
	Lamp Button – Turns the lights on the underside of the hood on and off
	Timer Button – While the fan is running, this button can be pressed to start a 9-minute timer which turns off the fan. The display will show the number of minutes operation remaining, and the timer can be deactivated at any point by pressing the timer button again.

MAINTENANCE

Before cleaning the hood, it should be switched off and power removed, by removing the plug or if the unit has been hardwired, switching off at the pole switch, to ensure no power is being fed to the unit.

Regular Cleaning

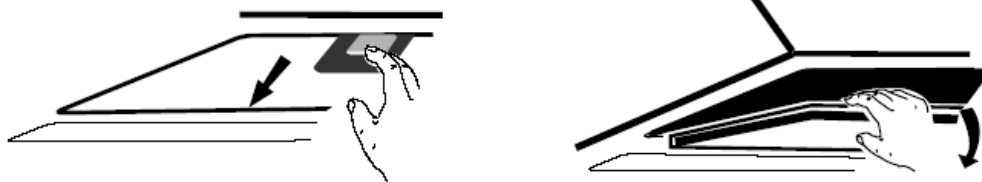
Use a soft cloth moistened with hand-warm mildly soapy water or household cleaning detergent. Never use metal pads, chemicals, abrasive material or a stiff brush to clean the unit, as these could scratch or damage the surface.

Note! Do not use a steam-cleaner to clean the hood; electrical components could be damaged or a short-circuit caused as a result.

Monthly Cleaning for metallic anti-grease filter

ESSENTIAL NOTE: Clean the filter every month, as an excessive build-up of grease can become a fire hazard. The filter collects grease, smoke and dust and as such the filter directly affects the efficiency of the cooker hood. If the filter is not regularly cleaned, the grease residue will saturate on the filter, which could pose a fire hazard.

Remove the filter and clean it with a soft nylon brush in a mild solution of warm water and a small amount of washing up liquid. Washing up liquid should not be applied neat to the filter. After cleaning, allow the filter to drain and then dry thoroughly before re fitting.



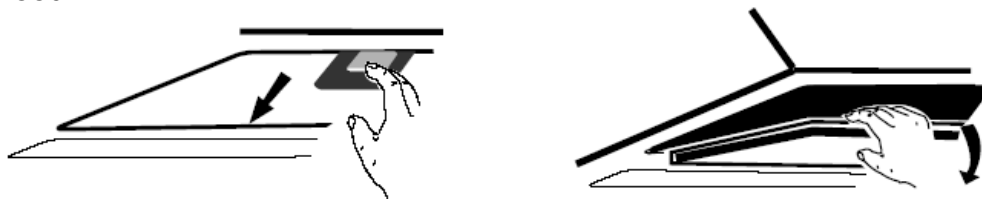
The grease filter may also be cleaned using a dishwasher on a 60°C program. It should be placed upright (long side on top) in the lower basket. Please be aware some dishwasher cleaning agents can permanently discolor the filter, although this will not affect its performance.

Replacement grease filters are available from the same stockist from which you purchased the hood using the reference: **eiQ3503C (3 required)**

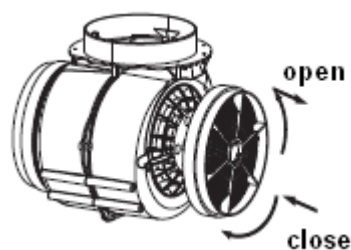
CARBON FILTER (OPTIONAL)

Activated carbon filters are used to trap odours and must be used if the hood is not vented to the outside. They are available from the same retailer the hood was purchased from under reference: **eiQCF110**

1. Before installing or replacing the carbon filters, please remove power to the unit.
2. The carbon filters attach to the sides of the motor housing. This can be accessed by removal of the metal grease filters on the base of the hood



3. The filter should be attached by locating the centre of the filter on the peg on the side of the motor housing. The filter should then be twisted clockwise to lock it into position.
4. Once both carbon filters have been installed, the grease filters can be reinstalled before power is reconnected to the unit.



NOTE:

- Removal of used carbon filters is the same process as fitting, just twisting the filter anticlockwise to release them.
- Make sure all filters are securely locked. Otherwise, they could loosen and cause damage to the unit, or the hob below.
- When the activated carbon filters are attached, the suction power will be reduced.
- The charcoal filter cannot be washed or recycled. They should be changed at three to six-month intervals depending on the level of use.
- Replacement filters are available from the stockist you purchased the hood from under reference:

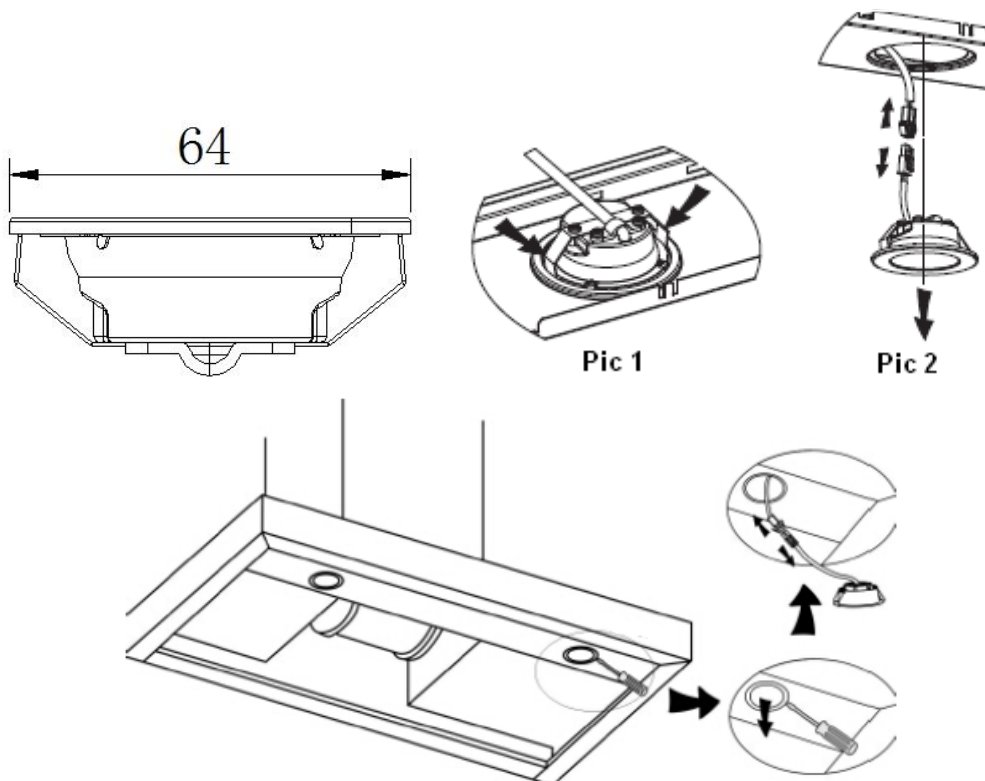
BULB REPLACEMENT

IMPORTANT: The light fitting must be replaced by the manufacturer, its service agent or similarly qualified persons.

This hood is fitted with LED light units, which under normal operation can last the lifetime of the hood. In the event that one does fail, replacement light units are available from the same retailer the hood was purchased from.

Before changing the fitting, ensure the hood is turned off and the power is removed by either unplugging the unit or switching off at the pole switch (if installed) before attempting to change the bulb. Wait until the bulbs have cooled down before commencing replacement.

1. Remove the grease filter.
2. Use a tool or the hand to press the spring splinter of both sides of LED light to the inside, until the light is pressed out, see pic 1. Then slightly pull the light connecting wire out, and dismantle the terminal of the light connecting wire. See pic 2.
3. Apply the reverse procedure to install the light back.



Important

- If a bulb is found to be defective, it should be replaced immediately.
- Always switch off the electricity supply before carrying out any operations on the appliance. When handling the bulb, make sure it has completely cooled down before any direct contact to hands.

TROUBLESHOOTING

Fault	Cause	Solution
Light on, but fan does not work	The fan blade is jammed.	Switch off the unit. Repair to be carried out by qualified service personnel only.
	The motor is damaged.	
Both light and fan do not work	Light bulb blown	Replace the bulb with correct rating.
	Power cord loose	Plug in to the power supply again.
Excessive Vibration	The fan blade is damaged.	Switch off the unit. Repair to be carried out by qualified service personnel only.
	The fan motor is not fixed tightly.	Switch off the unit. Repair to be carried out by qualified service personnel only.
	The unit is not hung properly on the bracket.	Take down the unit and check whether the bracket is in proper location.
	Air flaps have detached and fallen into motor housing	With power disconnected, Remove the vent pipe, and check that air flaps are in position
Suction performance not good	1 Grease filters clogged? 2 Distance between the unit and the cooking plane too great.	1 Clean or replace grease filters. 2. Adjust the distance to between cooking surface to hood.

TECHNICAL SPECIFICATION

	Symbol	Value	Unit
Model identification		eiQSLIM100TOUCH	
Annual Energy Consumption	AEC_{hood}	59.0	kWh/a
Time increase factor	f	1,1	
Fluid Dynamic Efficiency	FDE_{hood}	24.1	
Energy Efficiency Index	EEl_{hood}	62.6	
Measured airflow rate at the best efficiency	Q_{BEP}	348.6	m ³ /h
Measured air pressure at best efficiency point	P_{BEP}	347	Pa
Maximum airflow	Q_{max}	605.1	m ³ /h
Measured electric power input at best efficiency point	W_{BEP}	139.7	W
Nominal power of the lighting system	W_L	4,0	W
Average illumination of the lighting system on the cooking surface	E_{middle}	127	lux
Measured power consumption on standby mode	P_S	-	W
Measured power consumption on off mode	P_O	0.47	W
Sound power level	L_{WA}	70	dB

The following shows how to reduce total environmental impact (e.g. energy use) of the cooking process).

1. Install the cooker hood in a proper place where there is efficient ventilation.
2. Clean the cooker hood regularly so as not to block the airway.
3. Remember to switch off the cooker hood light after cooking.
4. Remember to switch off the cooker hood after cooking.

INFORMATION FOR DISMANTLING

Do not dismantle the appliance in any way which is not shown in the user manual. The appliance must not be dismantled by an unqualified person. At the end of its life, the appliance should not be disposed of with general household waste. Check with your Local Authority or retailer for recycling advice.

electriQ UK SUPPORT

www.electriQ.co.uk/support

Call: 03303903061

Office hours: 9AM - 5PM Monday to Friday

www.electriQ.co.uk

Unit J6, Lowfields Business Park

Lowfields Way, Elland

West Yorkshire, HX5 9DA



Recycling facilities are now available for all customers at which you can deposit your old electrical products. Customers will be able to take any old electrical equipment to participating sites run by their local councils. Please remember that this equipment will be further handled during the recycling process, so please be considerate when depositing your equipment. Please contact the local council for details of your local household waste recycling centers.