

electriQ

INSTALLATION AND USER MANUAL



SLOPING BLACK GLASS COOKER HOOD

eiQCHB60B
eiQCHB90B

Thank you for choosing your electriQ cooker hood.

This instruction manual is designed to provide you with all required instructions related to the installation, use and maintenance of the appliance. In order to operate the unit correctly and safely, please read this instruction manual carefully before installation and usage.

CONTENTS

SAFETY PRECAUTIONS	3
OPTIONS FOR VENTILATION	5
UNPACKING YOUR APPLIANCE	5
PRODUCT OVERVIEW	6
DIAGRAM	7
INSTALLATION	8
OPERATION	12
MAINTENANCE	14
CARBON FILTERS (OPTIONAL)	14
LIGHT BULB REPLACEMENT	15
TROUBLESHOOTING	15
TECHNICAL INFORMATION	16
SUPPORT	18

SAFETY PRECAUTIONS

Whilst this product is compliant with all safety requirements, incorrect or inappropriate use can lead to both personal injury and potential damage to property. Please read the contents of this instruction booklet thoroughly before fitting or using this appliance.

- The cooker hood must be installed in accordance with the installation instructions and all measurements followed.
- All installation work must be carried out by a competent person or qualified electrician.
- The unit must be connected to an earthed power supply.
- If venting externally, make sure the ducting has no bends sharper than 90 degrees as this will reduce the efficiency of the cooker hood.
- The cooker hood is for domestic use only and is not designed for commercial use. It should only be used for the purpose it was intended – to extract vapours and cooking odours.
- Do not flambé or use an open flame under the cooker hood.
- Do not try to use the cooker hood without the grease filters or if the filters are excessively greasy. They should be cleaned regularly (see “Maintenance”) or replaced as necessary.
- The extraction fan must be level to avoid grease collection at one end, as this could cause a potential fire risk.
- Do not leave frying pans unattended during use because overheated fat or oils might catch fire.
- If the cooker hood is damaged, do not attempt to use it.
- If the supply cord is damaged, it must be replaced by the manufacturer, its service agent or a similarly qualified person in order to avoid a hazard.
- This appliance can be used by children aged from 8 years and above and persons with reduced physical, sensory or mental capabilities or lack of experience and knowledge if they have been given supervision or instruction concerning use of the appliance in a safe way and understand the hazards involved.
- Children shall not play with the appliance. Cleaning and user maintenance shall not be made by children without supervision.
- Children should be supervised to ensure that they do not play with the appliance. It is not a toy.
- The plug must be accessible after installation for isolation in case of an emergency – or an appropriate fused switch if the unit is hard-wired to the mains via a spur.
- The minimum distance between the surface of the hob and the lowest part of the hood should be at least 65cm. A distance of between 65cm and 75cm gives peak efficiency.

- The air must not be discharged into a flue that is used for exhausting fumes from appliances burning gas or other fuels.
- When the hood is vented externally and used with appliances which burn fuel (e.g. gas, oil, wood) the area must be sufficiently ventilated to ensure safe operation. Fresh air must be allowed to freely enter the room to prevent a partial vacuum.
- A partial vacuum can starve the heating appliance of oxygen, impairing combustion. It can also prevent toxic fumes from leaving the room, or can cause fumes to be sucked into the room from outside.
- Safe operation is only possible when the partial vacuum within the working area does not exceed 4 Pa (0.04 mbar). This can be achieved by ensuring air is able to enter the room from outside through a suitable sized opening which cannot be sealed during operation. A number of alternative solutions are available to ensure this. If in any doubt, professional advice should be sought.
- Regulations concerning the discharge of air have to be fulfilled.
- There is a potential fire risk if cleaning is not carried out in accordance with the instructions.
- Clean your appliance periodically by following the method given in the chapter MAINTENANCE
- If used in recirculation mode, the charcoal filters trap odours and must be replaced at least once a year depending on how frequently the cooker hood has been used.
- For safety reasons, please use only the same size of fixing or mounting screw, which are recommended in this instruction manual.
- Warning: Failure to install the screws or fixing device in accordance with these instructions may result in electrical hazards

CAUTION: Accessible parts of the hood can become very hot during use with cooking appliances, whether in use or not, due to heat rising from the hob. Sufficient time should be allowed for the unit to cool before touching either the housing or the grease filters

OPTIONS FOR VENTILATION

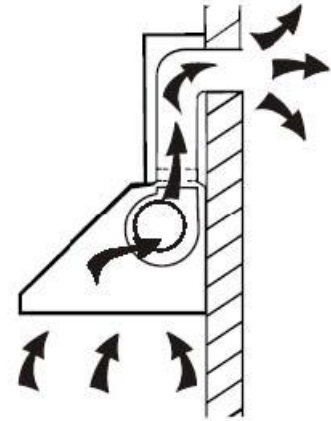
This hood can be set up for either external venting or recirculation of the air. The type of setup should be decided before commencing installation.

EXTERNAL VENTING

If you have an outlet to the outside, your cooker hood can be connected as shown in the diagram using the flexible exhaust pipe (supplied). Alternatively, any suitable extraction duct (enamel, aluminium, flexible pipe or non-flammable material with an interior diameter of 150mm) can be used.

An adaptor is also supplied to enable you to connect your hood to pre-existing 120mm diameter ducting.

If this is the chosen installation method consideration to the route of the vent pipe should be made prior to installation.

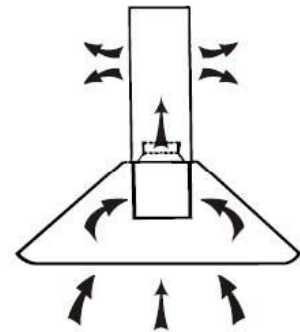


RECIRCULATION

This cooker hood also supports the recirculation of air once it has passed through the filters. The filtered air is then expelled through the vent holes in the side of the chimney.

When setting the unit up in this configuration, carbon filters should also be used to remove odours from the air. Details of sourcing and fitting the filters can be found in the Carbon filter section.

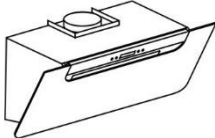
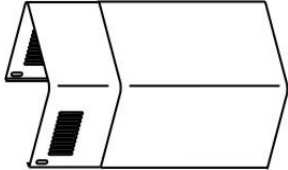






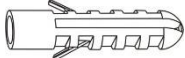

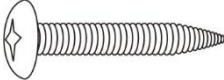

When setting up for recirculation the installation instructions should be followed, but the vent pipe should not be attached, and instead the air can be routed back into the room through the top of the unit.



UNPACKING YOUR APPLIANCE

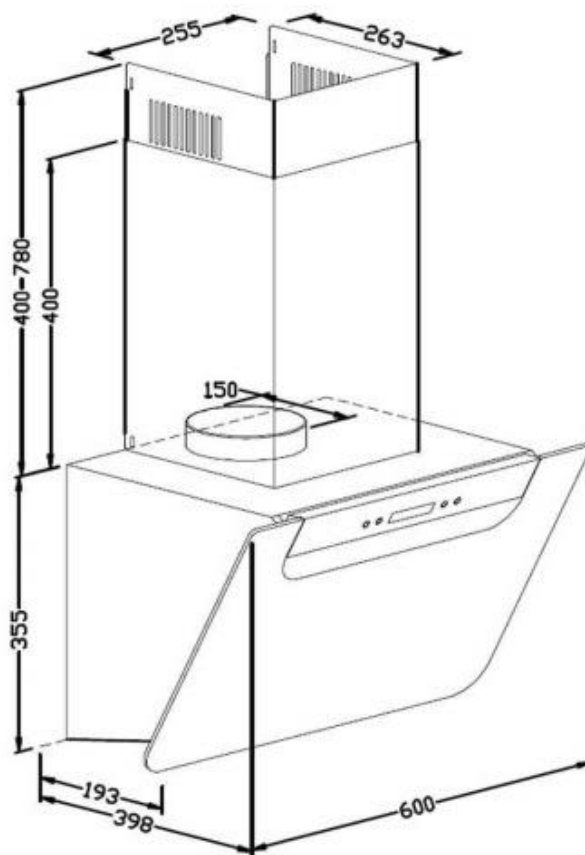
- Please take great care when unpacking; a sharp blade should not be used to open the box, as it may go deep enough inside to damage components. Components damaged or marked by careless unpacking are not covered under the guarantee.
- Carefully unpack the contents and check against the next section (Product overview – parts supplied)
- Packaging materials should be recycled in accordance with local regulations

PRODUCT OVERVIEW - PARTS SUPPLIED

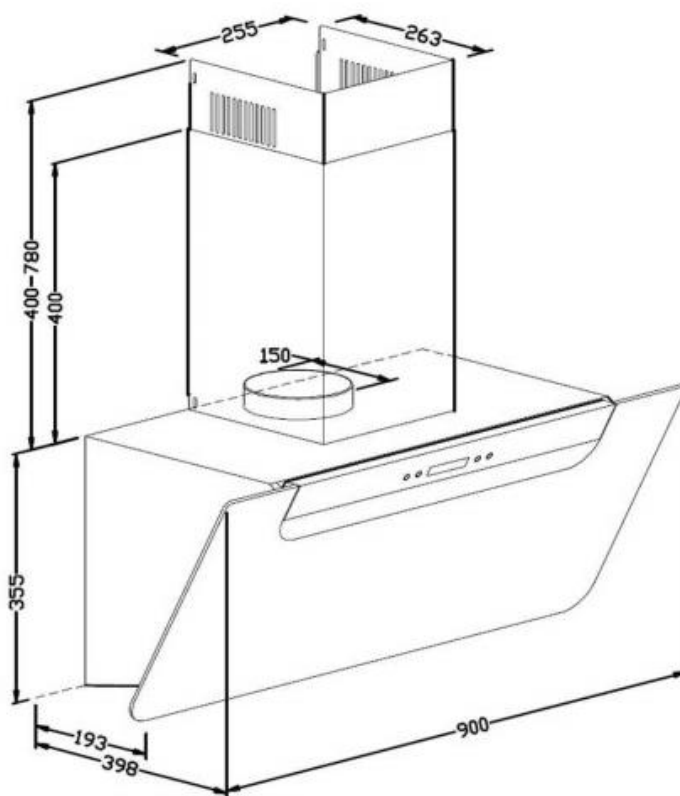
Description	Illustration	Qty.
Cooker hood		1
Chimney		2
Exhaust Pipe		1
Adaptor		1
cable tie		1
Plate I		1
Plate II		1
Screw (4mm x 40mm)		4
Wall plug		8
Screw (4mm x 8mm)		6
Screw (4mm x 30mm)		4
Air Flaps		2

DIAGRAMS

eiQCHB60B

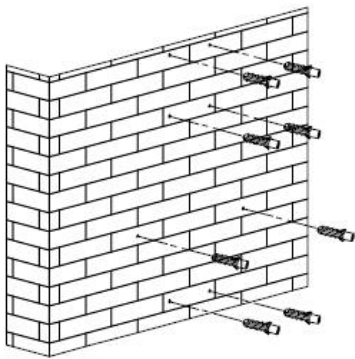


eiQCHB90B



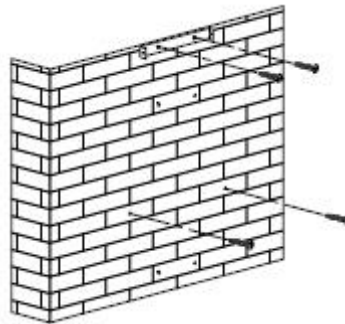
INSTALLATION

1. Before installation, ensure you have not connected the appliance to the mains supply.
2. The base of the cooker hood should be placed at a distance of 65~75cm above the cooking plane for best effect.

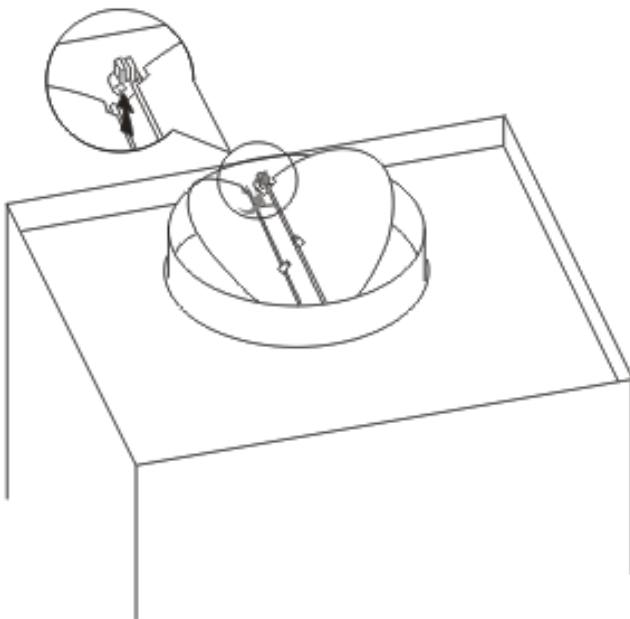


3. Install the hanging screws on a suitable wall once the installation height is decided, ensuring they are level. The fixed position of the inside chimney bracket is the place of chimney. Also install the safety hole in the wall. In total 8 holes should be drilled and wall plugs inserted.

4. Put 2 x Screws (4mm x30mm) hood ensuring the heads are and tighten Plate II onto the x 40mm) and wall plugs

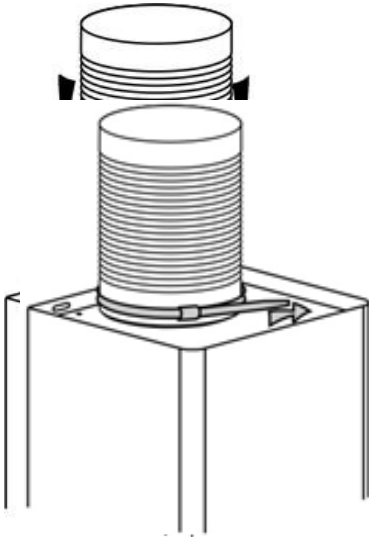
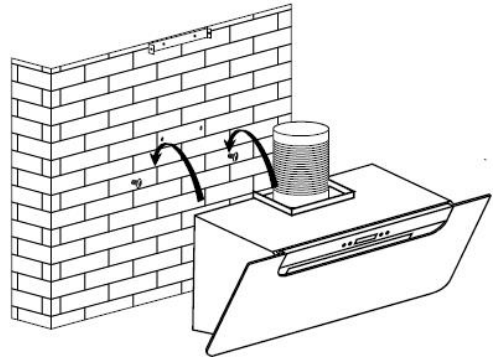


into position to hang the protruding by 3-4mm, screw wall with the screws (4mm provided).



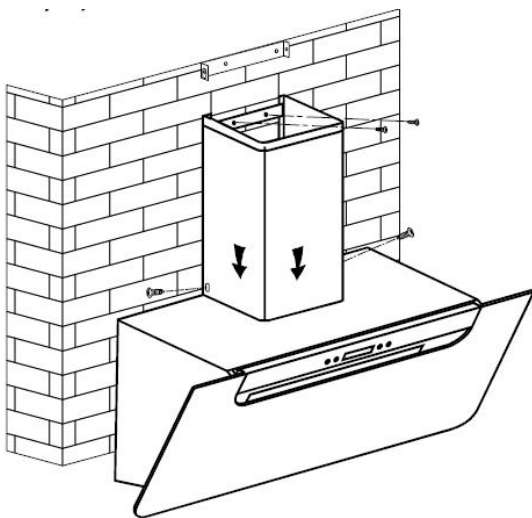
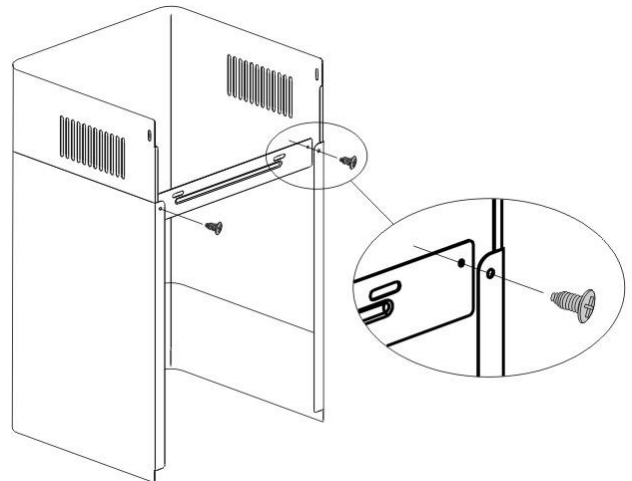
5. The 2 x airflaps should be installed at this stage, as access is easier before the unit is wall mounted. On the top of the Hood Unit, where the air outlet vent is located, the 2 x flaps should be carefully installed, bending very slightly so the lugs at each end locate into the holes, enabling flaps to pivot upwards when the unit is in operation, opening up the outlet fully for the air to pass through. Please note: the small spindles/lugs at each end of each flap locate into the holes on the housing, not the grooves above them.

6. Hang on the cooker hood on to the two screws previously installed.



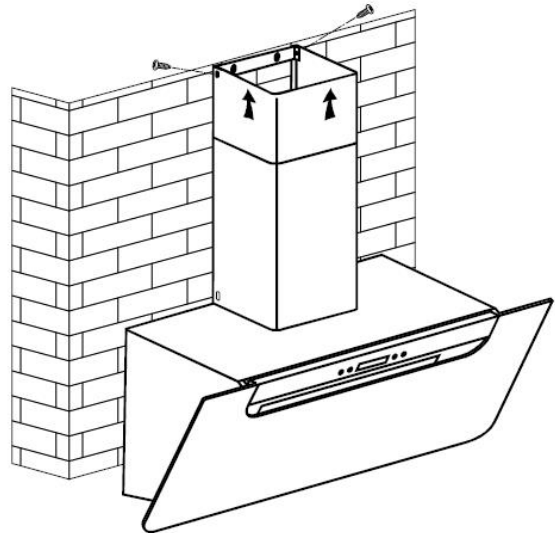
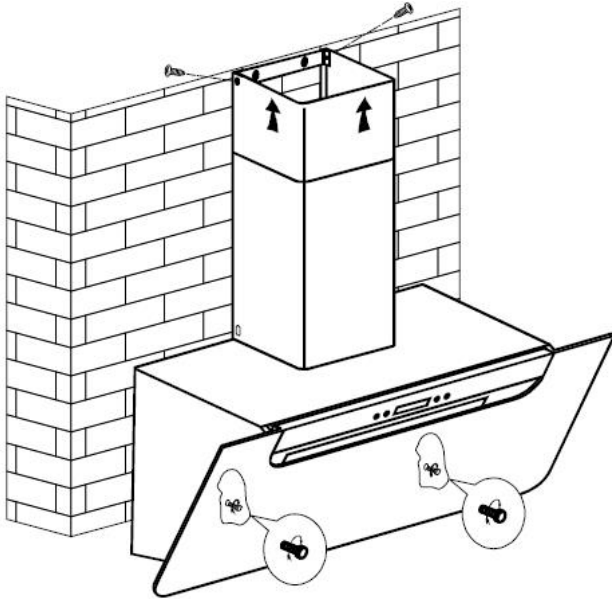
7. If venting externally attach the vent pipe onto the one-way valve, and fix the pipe on the valve using the cable tie. The adaptor can be used at this stage, if you already have existing smaller diameter venting in place to connect.

8. Adjust the length of the chimney to around the required height (Fine adjustment can be done later. Then install plate I on the chimney using two screws (4mm x 8mm). Only tighten the screws loosely to allow the chimney height to be adjusted.



9. Fix the base of the chimney to the hood with 2 x Screws (4mmx8mm), then fix plate I to wall with 2 x screws (4mm x 40mm), before routing the vent pipe to the outside. (If Recirculating no vent pipe is required, and the air will be expelled through the vent holes in the side of the upper chimney)

10. Pull up the inner chimney and fix it into inner chimney bracket with 2 x screws (4mm x 8mm).



11. Remove the Aluminium filter and fix to the wall with 2 x screws (4mm x30mm) through the safety holes.

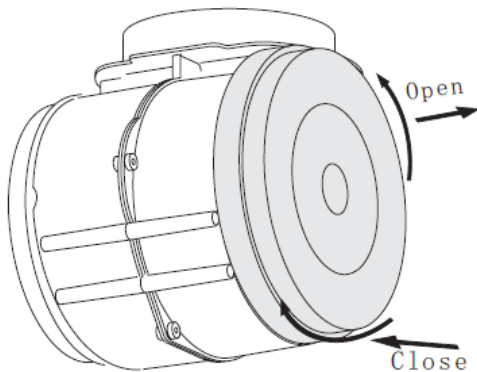
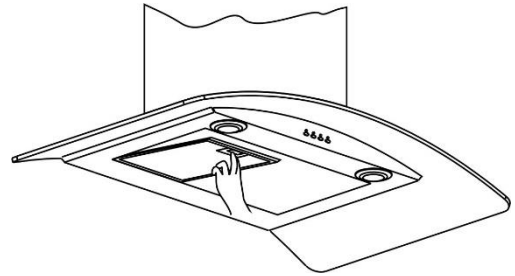
12. Before usage, read all the instructions and make sure that the voltage (V) and the frequency (Hz) indicated on the identification plate (found inside the cooker hood) and all the data inside the appliance are exactly the same as the voltage and frequency in your home. Then plug the power lead into the power socket (or if connecting directly to the main via a switched spur, ensure the work is carried out by a competent, qualified person) and the cooker hood is then ready for use.

CARBON FILTER (OPTIONAL)

Activated carbon filters should be used to trap odours (optional – available from the same stockist you purchased the hood from) and must be used if the hood is not vented to the outside.

Reference: **eIQCF160 Carbon Filter Pack**

In order to install the activated carbon filters, the aluminium filter should be removed first. Press the lock and pull it downward as below:



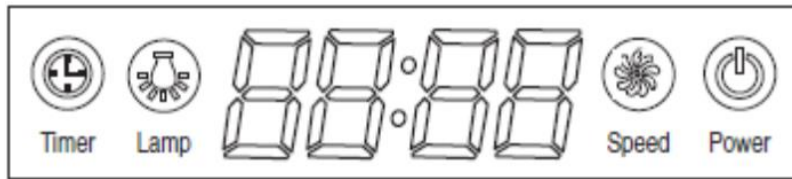
Put the activated carbon filter onto the end of the motor unit and turn it in anti-clockwise direction. Repeat the same on the other side (see diagram)

NOTES:

- Make sure the filter is securely locked. Otherwise, it could loosen and cause damage to the unit.
- When the activated carbon filters are attached, the suction power will be lowered.
- The charcoal filter cannot be washed or recycled. It should be changed at three or six months according to the amount of use the hood receives. Replacements are available from the stockist you purchased the hood from.

eIQCF160 Carbon Filter Pack

OPERATION



POWER BUTTON

While the hood is turned off, press the POWER button to start the hood at the previously used speed.

While the hood is turned on, press the POWER button to turn the hood off.

LAMP BUTTON

Press the LAMP button to illuminate the display. Press the LAMP button again to turn off the display.

Note: The backlight will turn off after 15 seconds without any operation.

SPEED BUTTON

With the fan running, press the SPEED button to cycle between the three fan speeds: Low, Medium and High.

Note: After 7 minutes of operating at High fan speed, the hood will automatically reduce the fan speed to medium.

TIMER BUTTON

This is used to set a delay timer for the hood, which will turn off the hood after the set period of operation. The delay timer can be set between 1 and 60 minutes.

With the fan operating, press the TIMER button, and the display will show the previously used timer duration (or "05:00" to indicate 5 minutes if the timer has not been previously used). Use the SPEED button to increase the timer duration and the LAMP button to decrease the timer duration. Once the required duration is displayed, press the TIMER button to confirm.

Notes:

- The timer does not affect the operation of the lamp, which will automatically turn off after 15 seconds.
- If no input is received within 5 seconds of pressing the TIMER button, the timer will automatically commence with the previously used duration.

SETTING THE CLOCK

Press and hold the TIMER button for 2-3 seconds. "12:00" will display on the screen with "12" flashing. Press the SPEED button to increase the hour value, and the LAMP button to reduce it. Once the correct hour value is displayed, press the TIMER button to confirm. Adjust the minute value in the same way using the SPEED and LAMP buttons. Press the TIMER button to confirm the minute value and start the clock.

REMOTE CONTROL

LAMP

Press the button to turn on the backlight.
Press the button again to turn off the backlight.

TURN ON / INCREASE FAN SPEED

With the hood turned off, press the + button to start the fan at low speed.
While the fan is running, press the + button to increase the fan speed.

TURN OFF / DECREASE FAN SPEED

While the fan is running at high or medium speed, press the - button to decrease the fan speed.
While the fan is running at low speed, press the - button to turn off the hood.

TIMER

Press the timer button to turn the timer on or off.

BATTERY

The remote control requires a CR2025 battery. The battery can be accessed from the bottom, as show in the below picture.

Carefully release the
tab and pull the
battery tray out



MAINTENANCE

Before cleaning, switch the unit off and pull out the plug, or switch off at the relevant mains switch if the unit has been hard-wired in. Make sure the unit has no power being fed to it.

REGULAR CLEANING

Use a soft cloth moistened with hand-warm mildly soapy water or household cleaning detergent. Never use metal pads, chemicals, abrasive material or a stiff brush to clean the unit.

Note! Do not use a steam-cleaner to clean the hood; electrical components could be damaged or short-circuit as a result.

MONTHLY CLEANING FOR METALLIC ANTI-GREASE FILTER

ESSENTIAL NOTE: Clean the filter every month; an excessive build-up of grease can become a fire hazard. The filter collects grease, smoke and dust..... so the filter directly affects the efficiency of the cooker hood. If it's not cleaned, the grease residue (potentially flammable) will saturate on the filter.

Remove the filter as shown in the Installation section. Clean it with a soft nylon brush in a mild solution of warm water and a small amount of washing up liquid. Washing up liquid alone should not be used. After cleaning, allow the filter to drain and then dry thoroughly.

The grease filter may also be dishwasher cleaned; using a 60°C programme, with the filter upright (short sides upright) in the lower basket. Please be aware some dishwasher cleaning agents can permanently discolour the filter, though this will not affect its performance.

Replacement grease filters are available from the same stockist from which you purchased the hood:

Replacement grease filters are available:

eiQCHB60B: eiQAL03D660-T & eiQAL03D660-B

eiQCHB90B: eiQAL03D690-T & eiQAL03D690-B

REPLACEMENT OF THE ACTIVATED CARBON FILTER

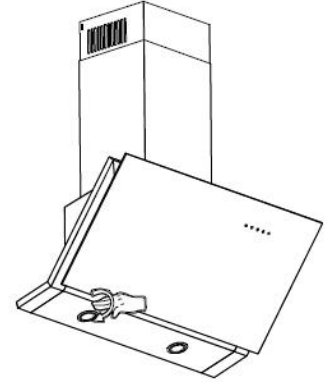
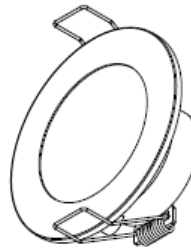
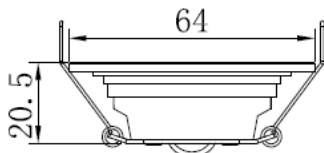
These are only required in units that have been installed in recirculation mode (not vented to the outside). This filter traps odours and must be replaced ideally every 3-6 months depending on how frequently the cooker hood has been used. They are not washable or reusable.

eiQCF160 Carbon Filter Pack

LIGHT REPLACEMENT

Important: The light fitting must be replaced by the manufacturer, its service agent or similarly qualified persons.
Always switch off the electricity supply before carrying out any operations on the appliance. When handling the light fitting, make sure it has completely cooled down before any direct contact to hands.

- Switch the unit off and disconnect the power.
- Wait until the light fitting has cooled down before replacement.
- Pull out the LED light carefully with a screwdriver and replace with the same type and rated LED light (2*2W LED light)
- Replace the front part back to the fitting with screwdriver.
- ILCOS D code for this lamp is: DBR-2/65-H-64
 - LED modules, self- ballasted – round lamp
 - Max wattage: 2 W
 - Voltage range: AC 220-240V
 - Dimensions:



TROUBLESHOOTING

Fault	Cause	Solution
Light on, but fan does not work	The fan blade is jammed.	Switch off the unit. Repair to be carried out by qualified service personnel only.
	The motor is damaged.	
Both light and fan do not work	Light bulb blown	Replace the bulb with correct rating.
	Power cord loose	Plug in to the power supply again.
Excessive Vibration	The fan blade is damaged.	Switch off the unit. Repair to be carried out by qualified service personnel only.
	The fan motor is not fixed tightly.	Switch off the unit. Repair to be carried out by qualified service personnel only.
	The unit is not hung properly on the bracket.	Take down the unit and check whether the bracket is in proper location.
Suction performance not good	1 Grease filters clogged? 2 Distance between the unit and the cooking plane too great.	1 Clean or replace grease filters. 2. Adjust the distance to between cooking surface to hood.

TECHNICAL INFORMATION

	Symbol	Value	Unit
Model identification		eiQCHB60B	
Annual Energy Consumption	AEC_{hood}	97.3	kWh/a
Time increase factor	f	1,2	
Fluid Dynamic Efficiency	FDE_{hood}	21.9	
Energy Efficiency Index	EEl_{hood}	71.9	
Measured airflow rate at the best efficiency	Q_{BEP}	463.8	m ³ /h
Measured air pressure at best efficiency point	P_{BEP}	360	Pa
Maximum airflow at boost position	Q_{max}	796.1	m ³ /h
Maximum airflow	Q_{max}	627.6	m ³ /h
Measured electric power input at best efficiency point	W_{BEP}	212.2	W
Nominal power of the lighting system	W_L	6,0	W
Average illumination of the lighting system on the cooking surface	E_{middle}	306	lux
Measured power consumption on standby mode	P_s	0,37	W
Measured power consumption on off mode	P_o	-	W
Sound power level at boost position	L_{WA}	73	dB
Sound power level at highest setting	L_{WA}	71	dB

The following shows how to reduce total environmental impact (e.g. energy use) of the cooking process).

- (1) Install the cooker hood in a proper place where there is efficient ventilation.
- (2) Clean the cooker hood regularly so as not to block the airway.
- (3) Remember to switch off the cooker hood light after cooking.
- (4) Remember to switch off the cooker hood after cooking.

	Symbol	Value	Unit
Model identification		eiQCHB90B	
Annual Energy Consumption	AEC_{hood}	93.9	kWh/a
Time increase factor	f	1,1	
Fluid Dynamic Efficiency	FDE_{hood}	24.8	
Energy Efficiency Index	EEl_{hood}	66.5	
Measured airflow rate at the best efficiency	Q_{BEP}	537.6	m ³ /h
Measured air pressure at best efficiency point	P_{BEP}	370	Pa
Maximum airflow at boost position	Q_{max}	836.4	m ³ /h
Maximum airflow	Q_{max}	632.1	m ³ /h
Measured electric power input at best efficiency point	W_{BEP}	223.1	W
Nominal power of the lighting system	W_L	6,0	W
Average illumination of the lighting system on the cooking surface	E_{middle}	250	lux
Measured power consumption on standby mode	P_s	0,37	W
Measured power consumption on off mode	P_o	-	W
Sound power level at boost position	L_{WA}	74	dB
Sound power level at highest setting	L_{WA}	72	dB

INFORMATION FOR DISMANTLING

Do not dismantle the appliance in a way which is not shown in the user manual. The appliance could not be dismantled by user. At the end of life, the appliance should not be disposed of with household waste. Check with your Local Authority or retailer for recycling advice.

electriQ UK SUPPORT

www.electriQ.co.uk/support

Call: 0871 984 4416

Office hours: 9AM - 5PM Monday to Friday

www.electriQ.co.uk

Unit J6, Lowfields Business Park
Lowfields Way, Elland
West Yorkshire, HX5 9DA



Recycling facilities are now available for all customers at which you can deposit your old electrical products. Customers will be able to take any old electrical equipment to participating sites run by their local councils. Please remember that this equipment will be further handled during the recycling process, so please be considerate when depositing your equipment. Please contact the local council for details of your local household waste recycling centers.